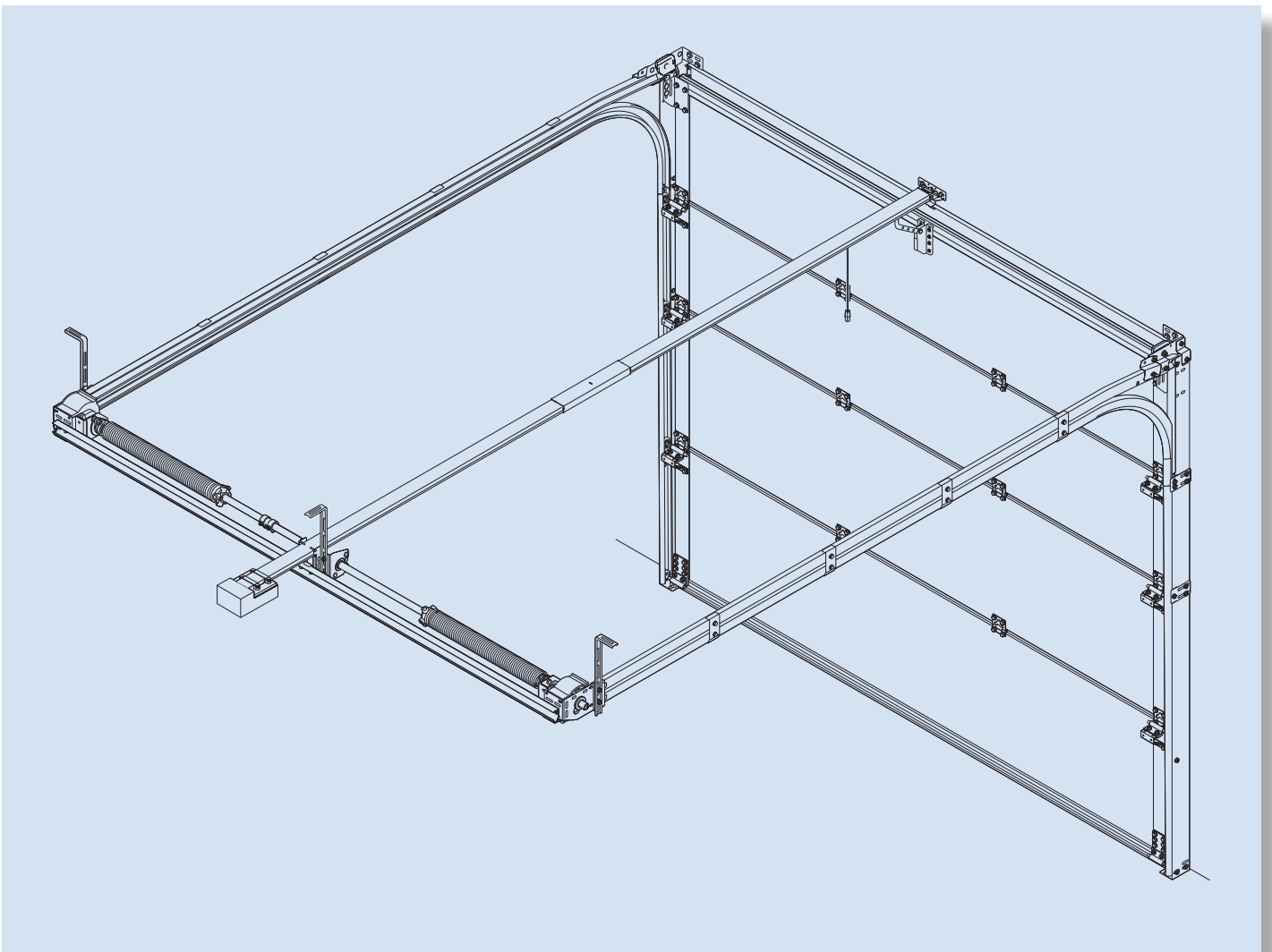
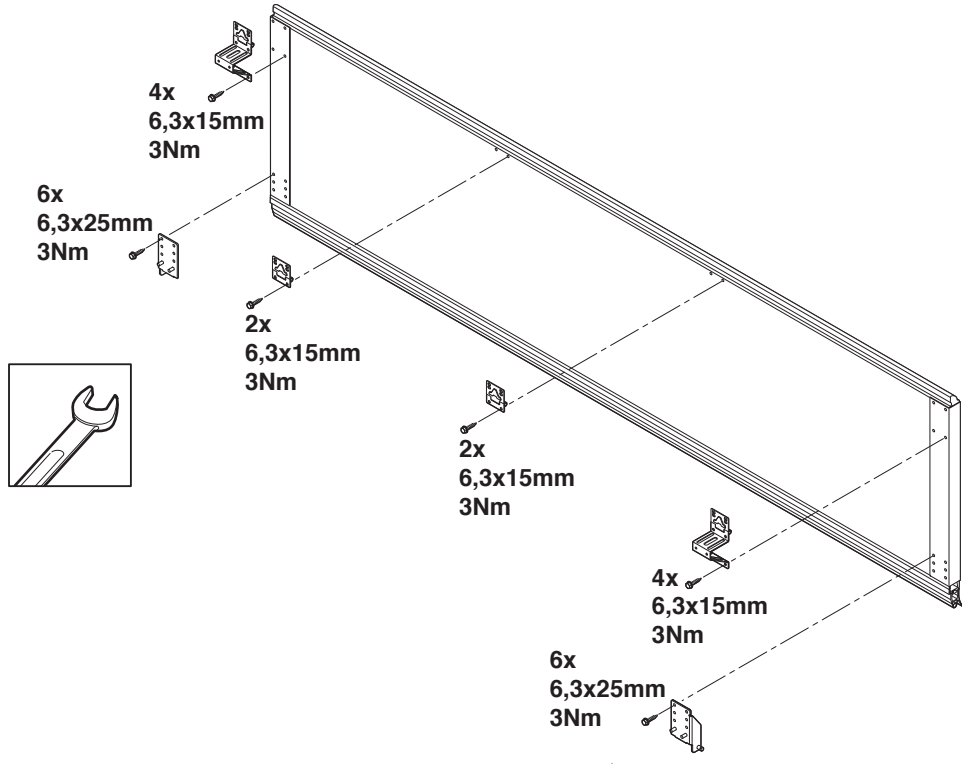
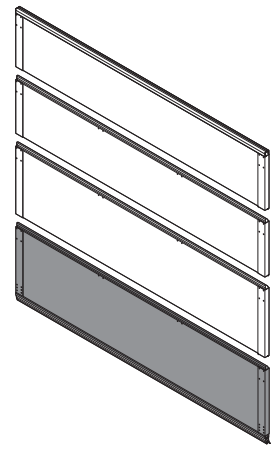
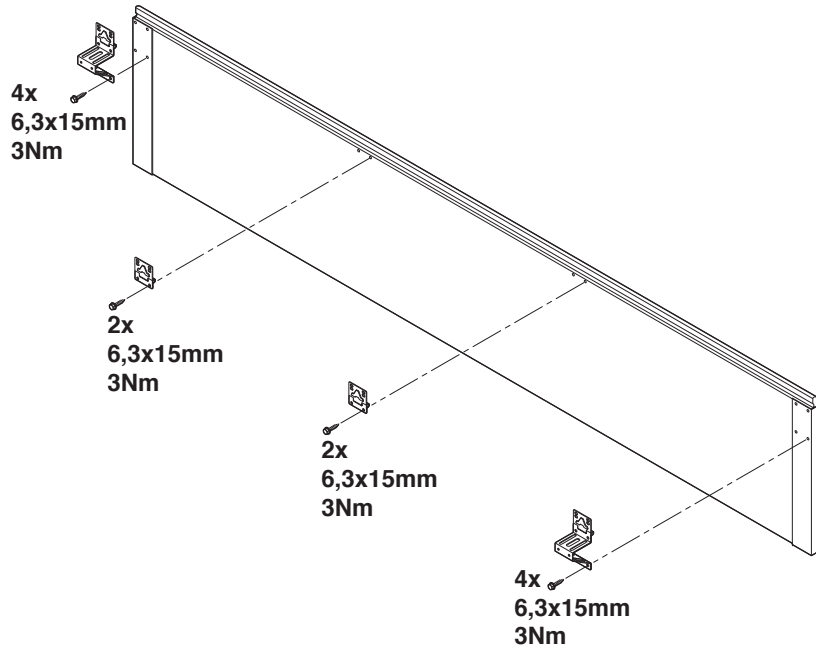
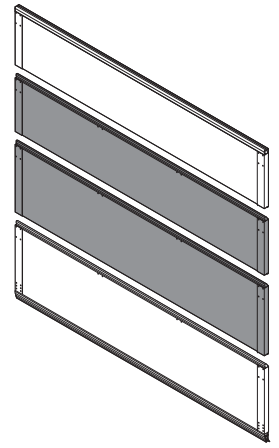
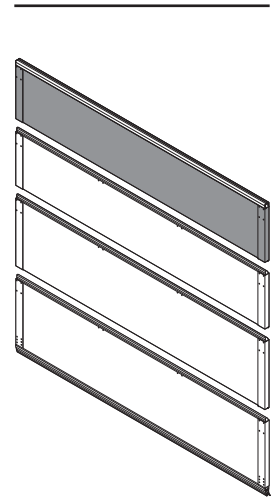
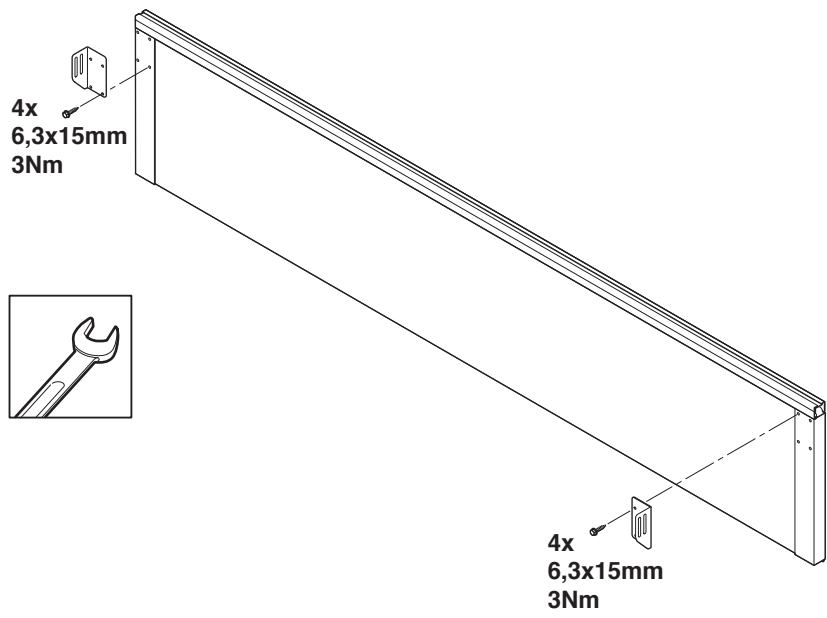


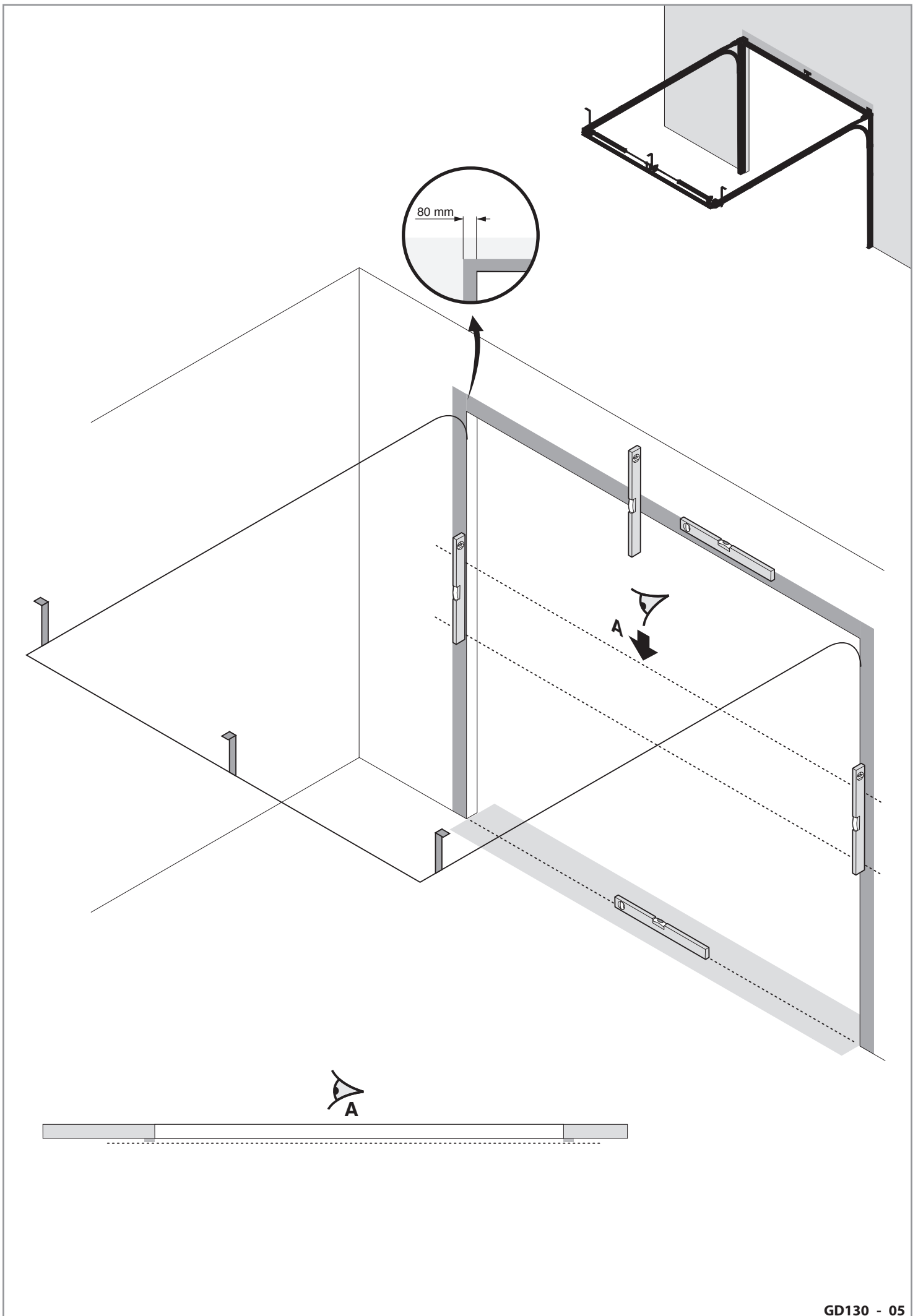
GD 130

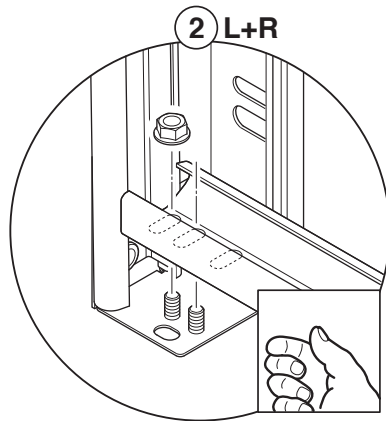
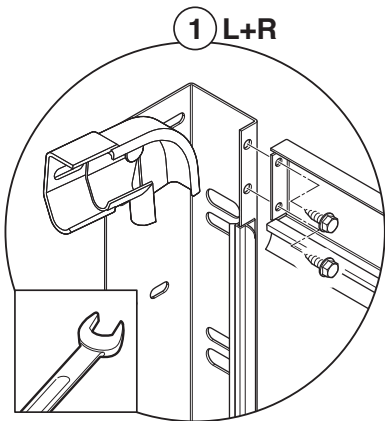
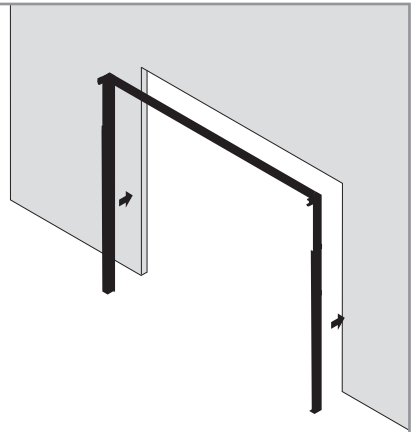
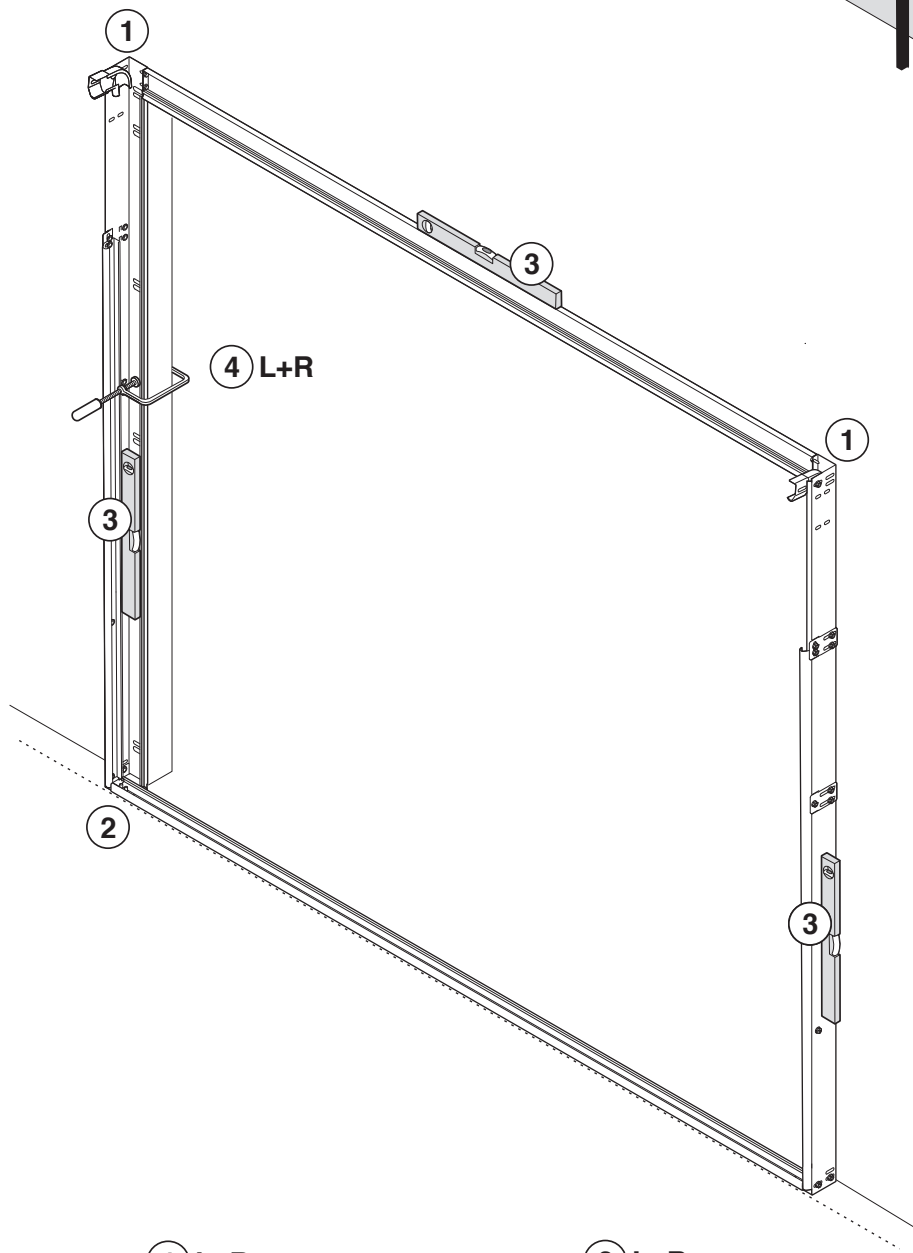


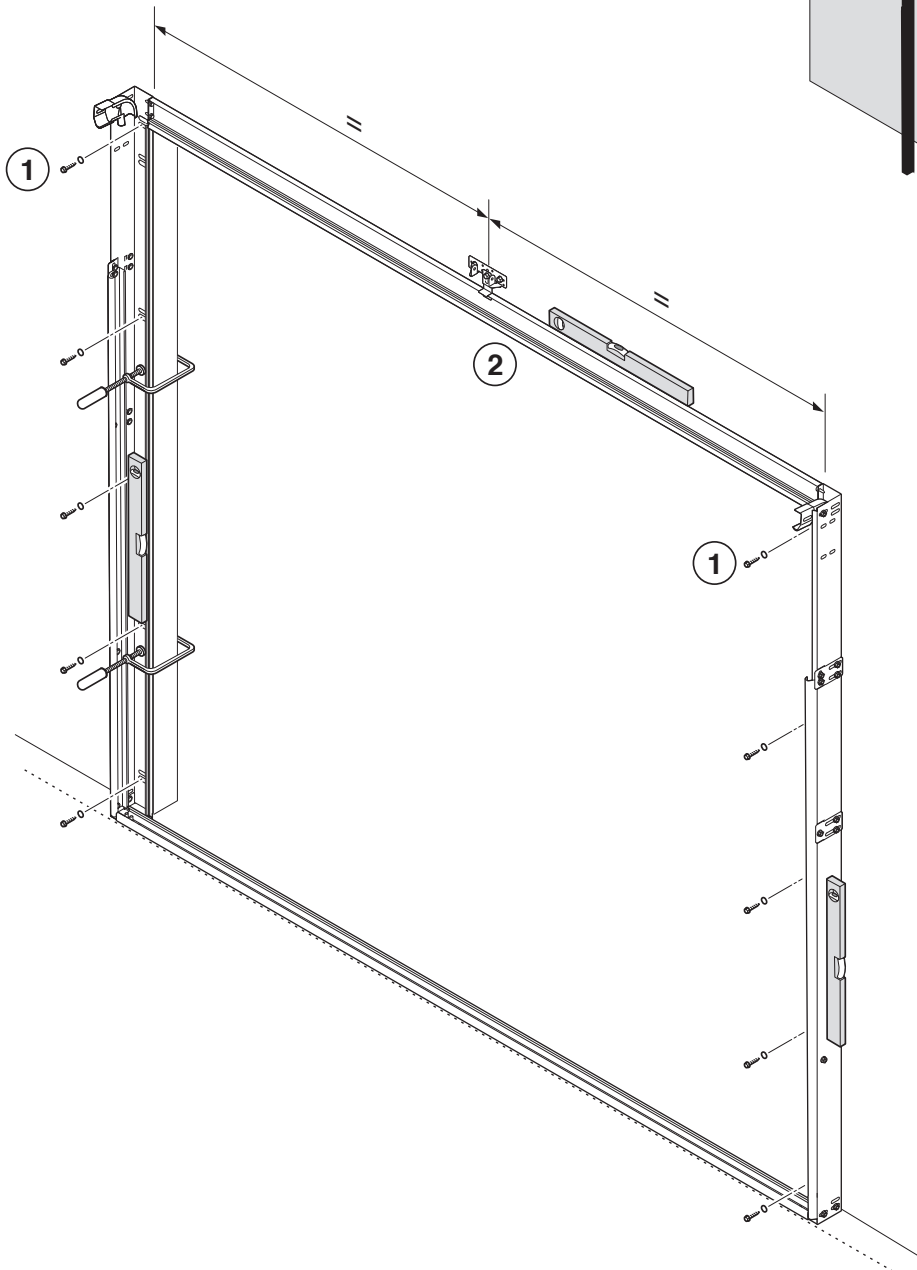






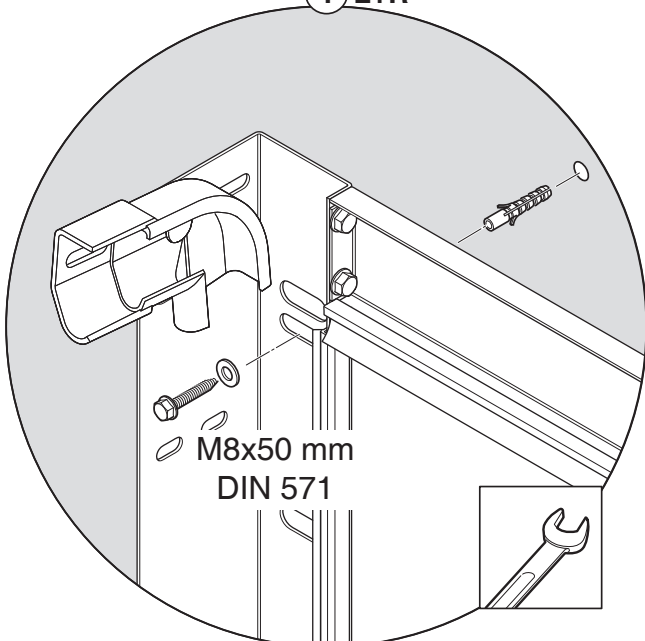




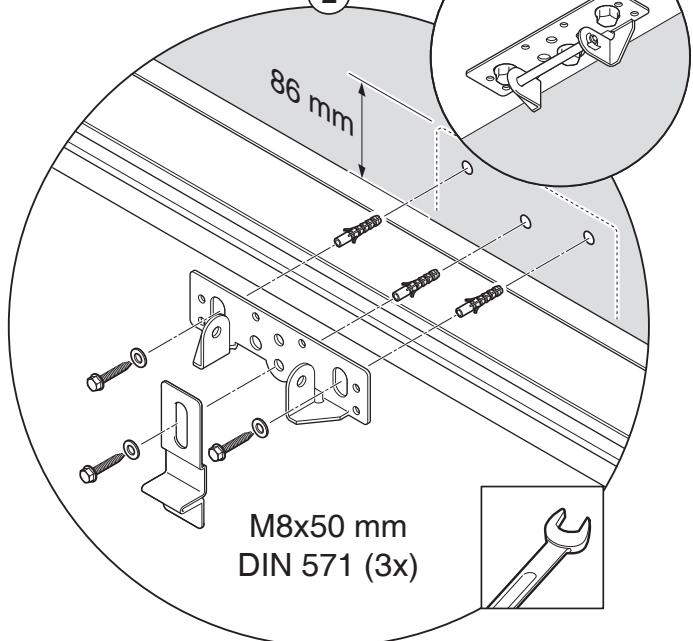


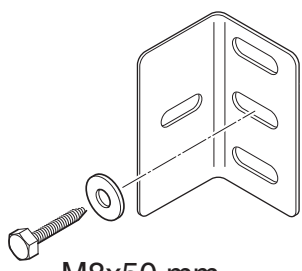
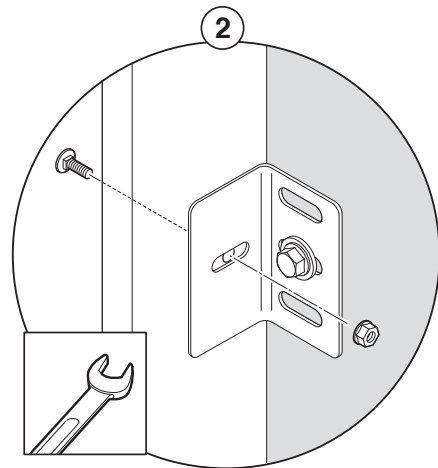
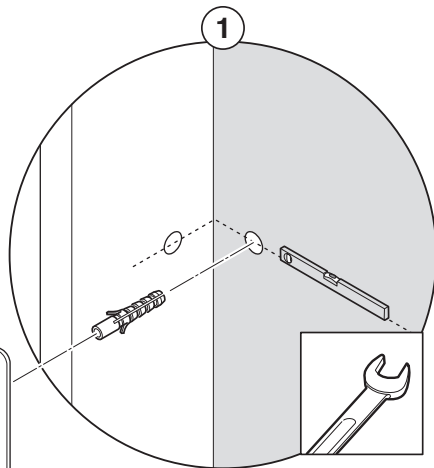
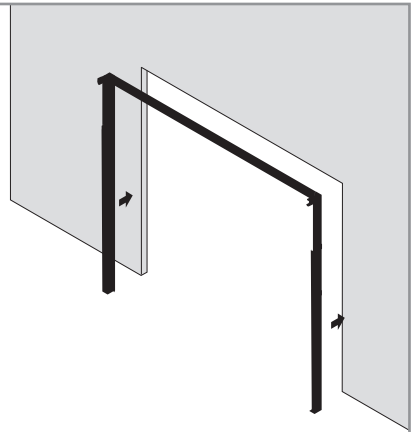
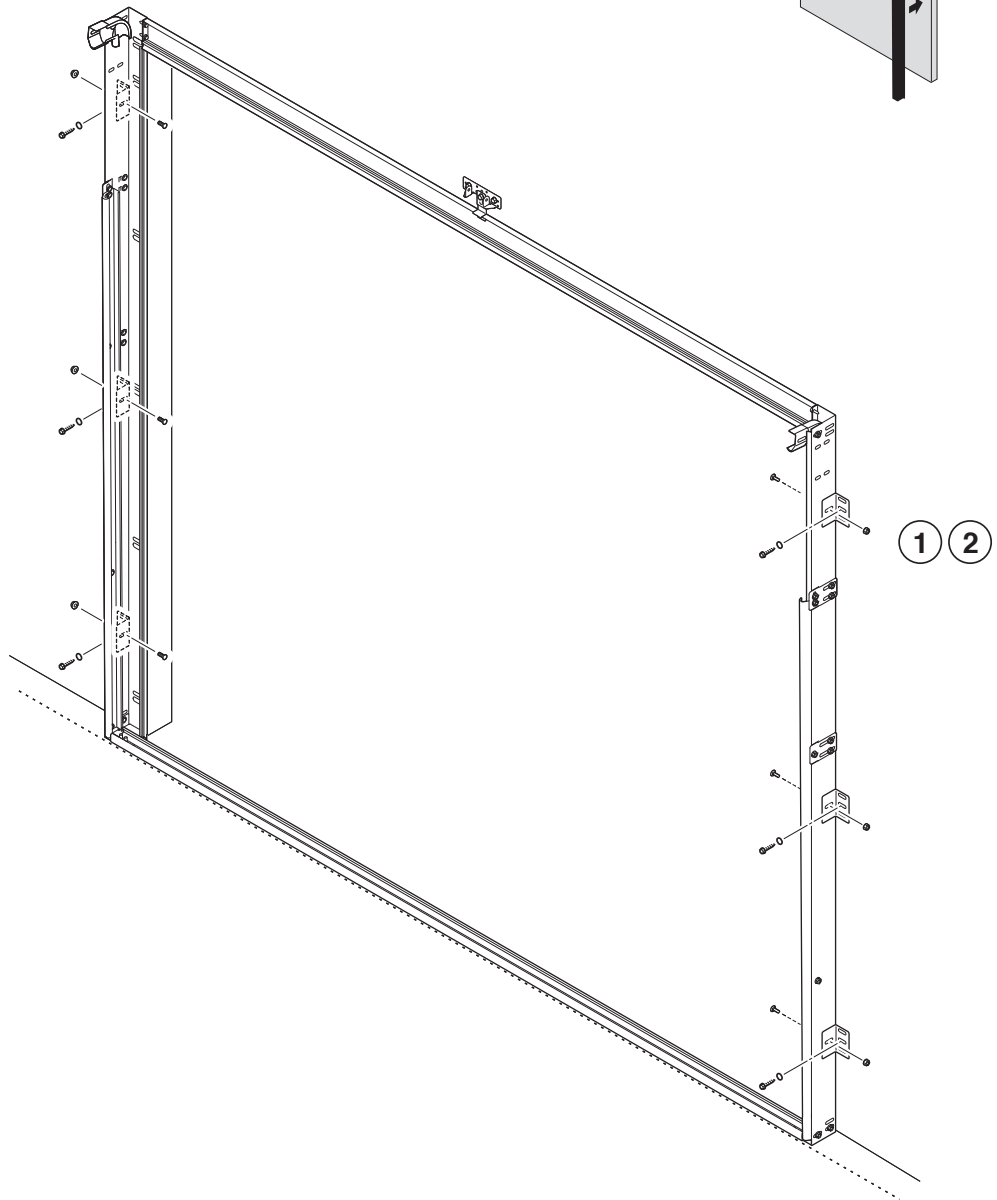
Option

1 L+R

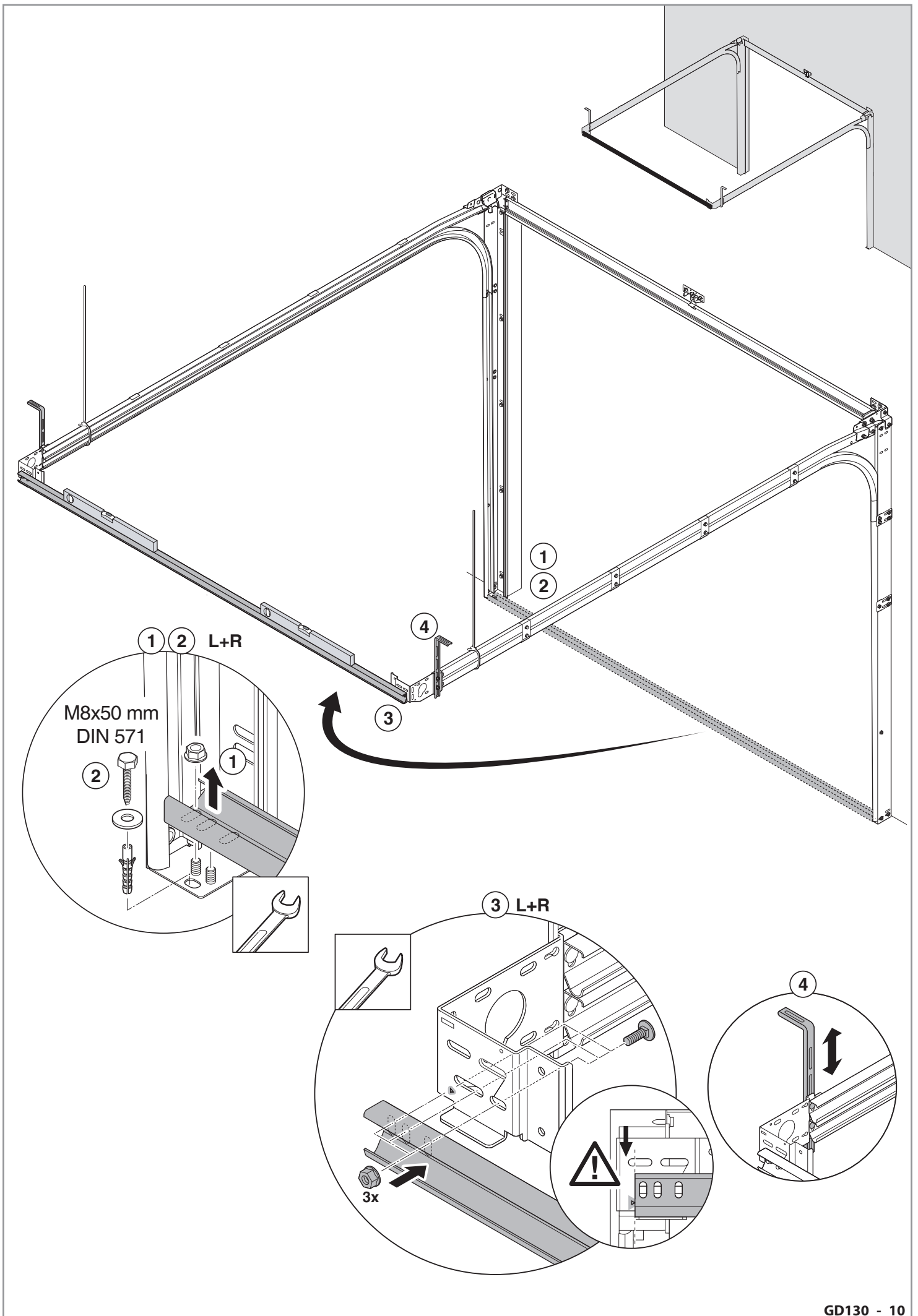


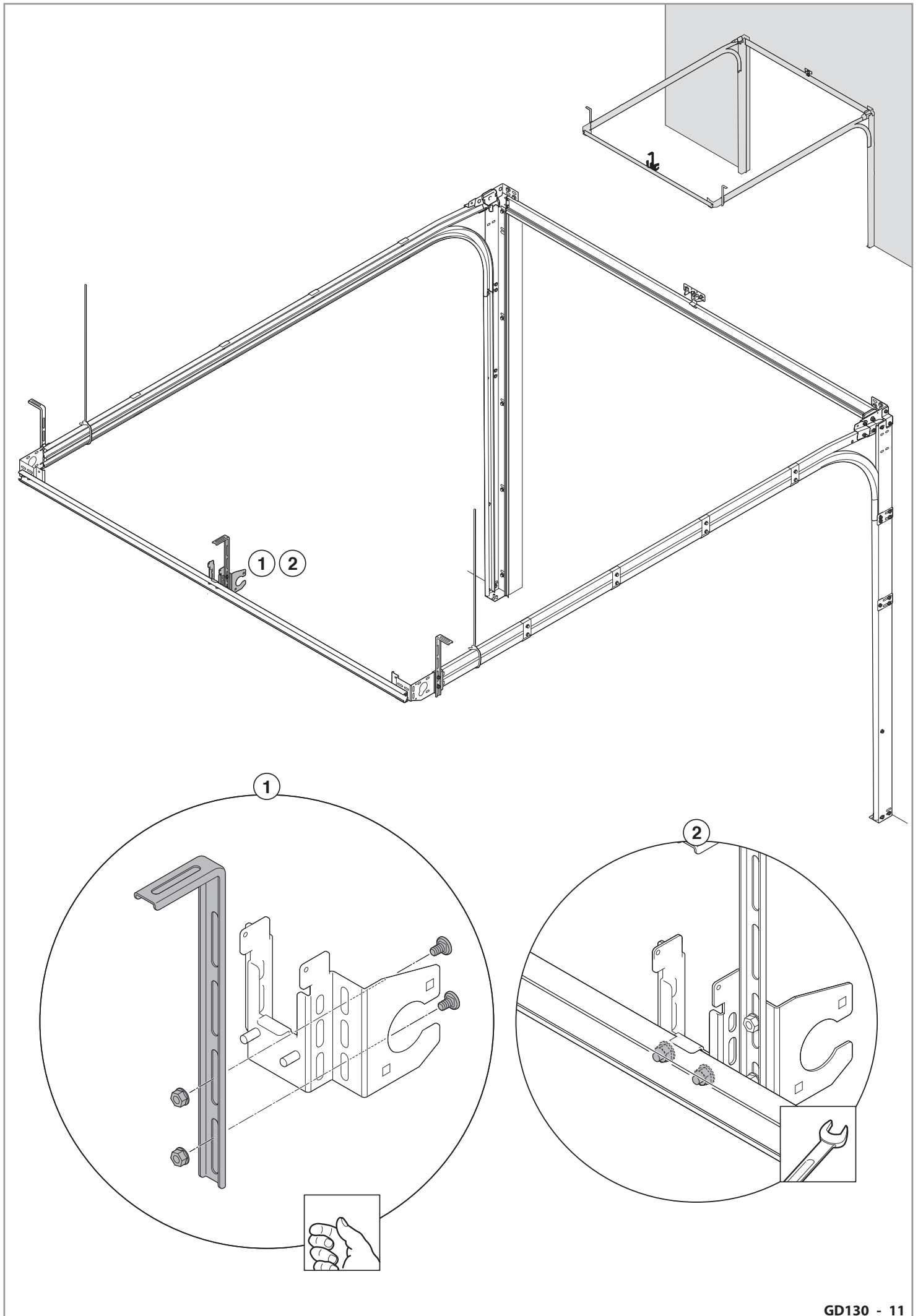
2

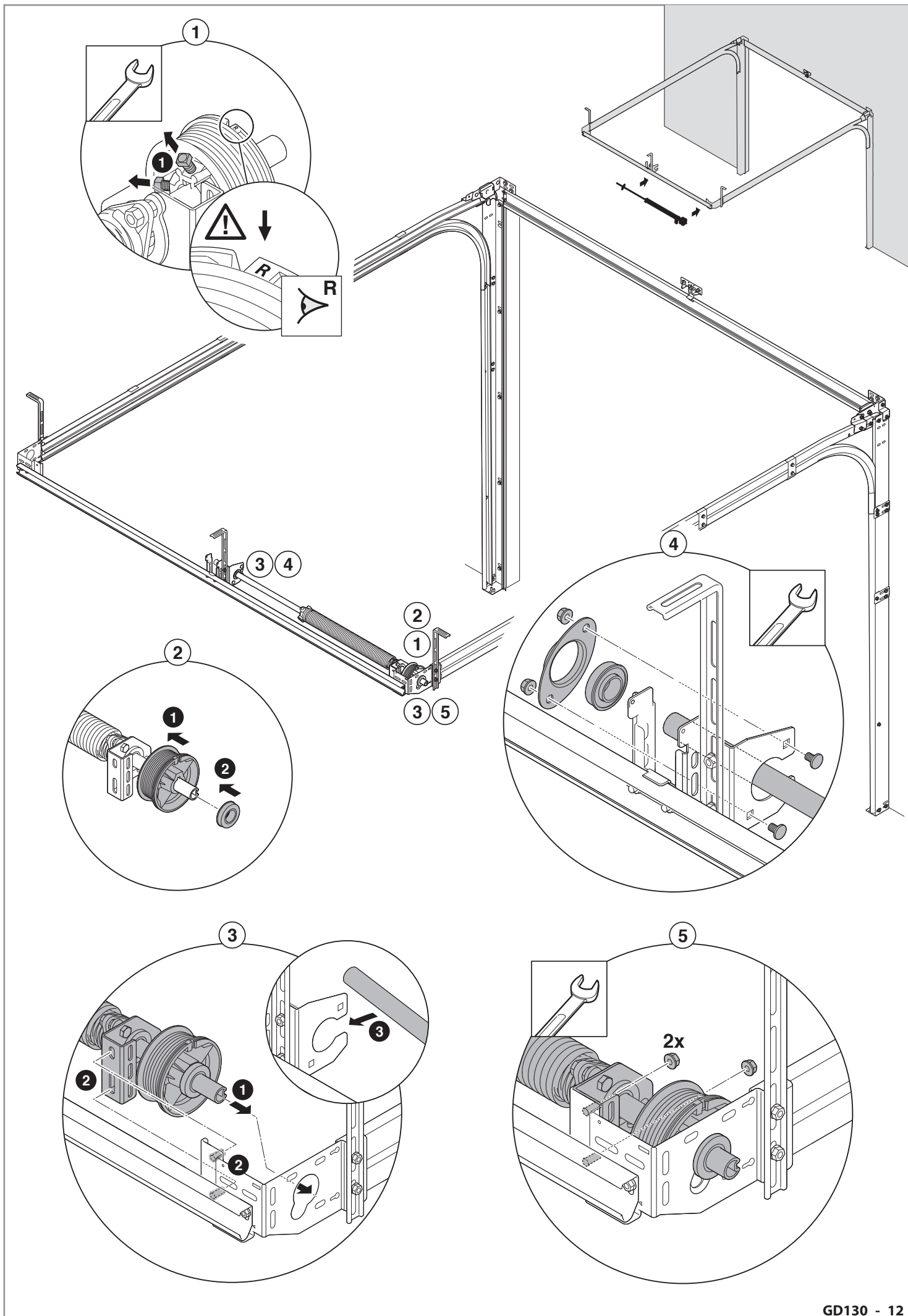


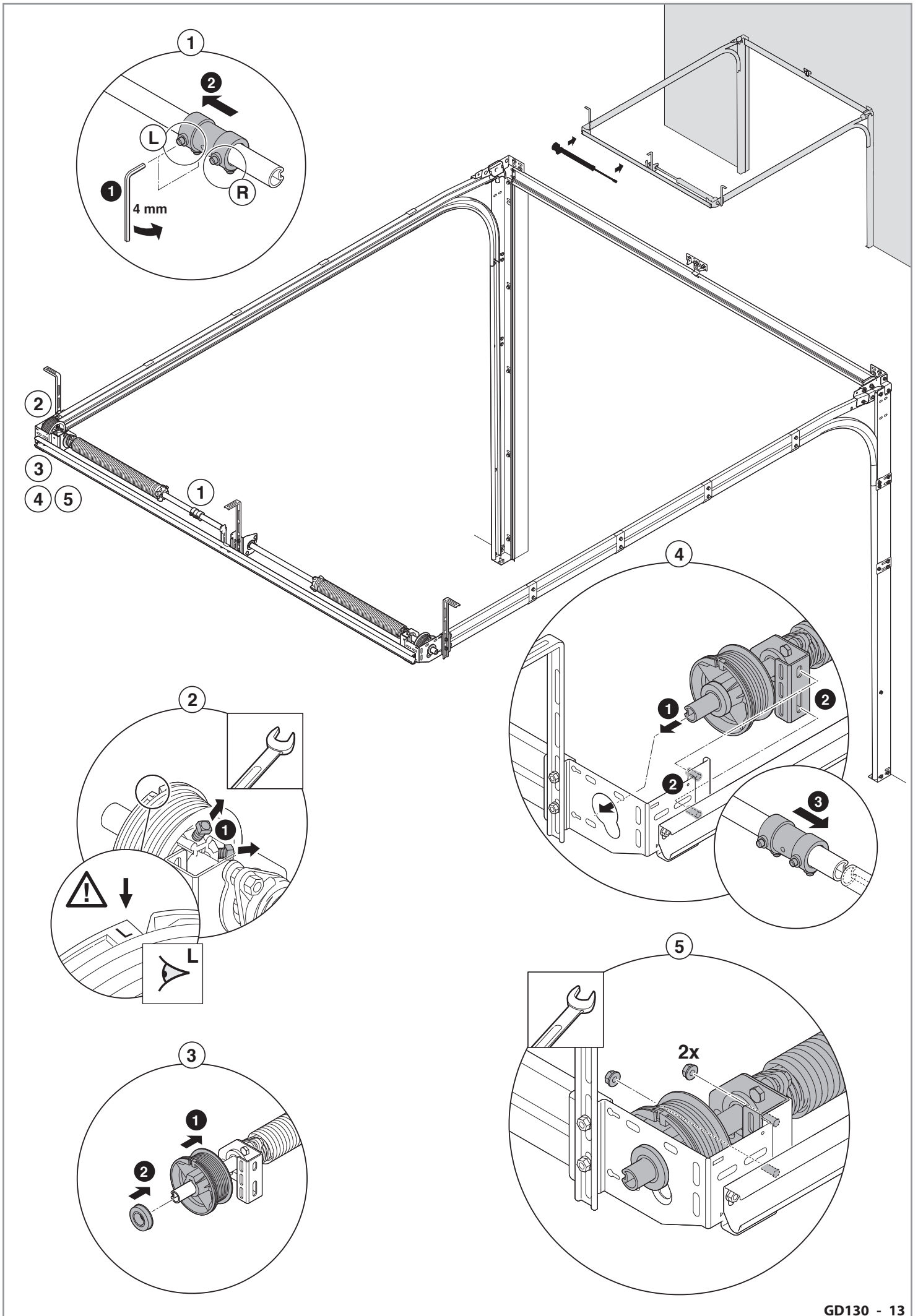


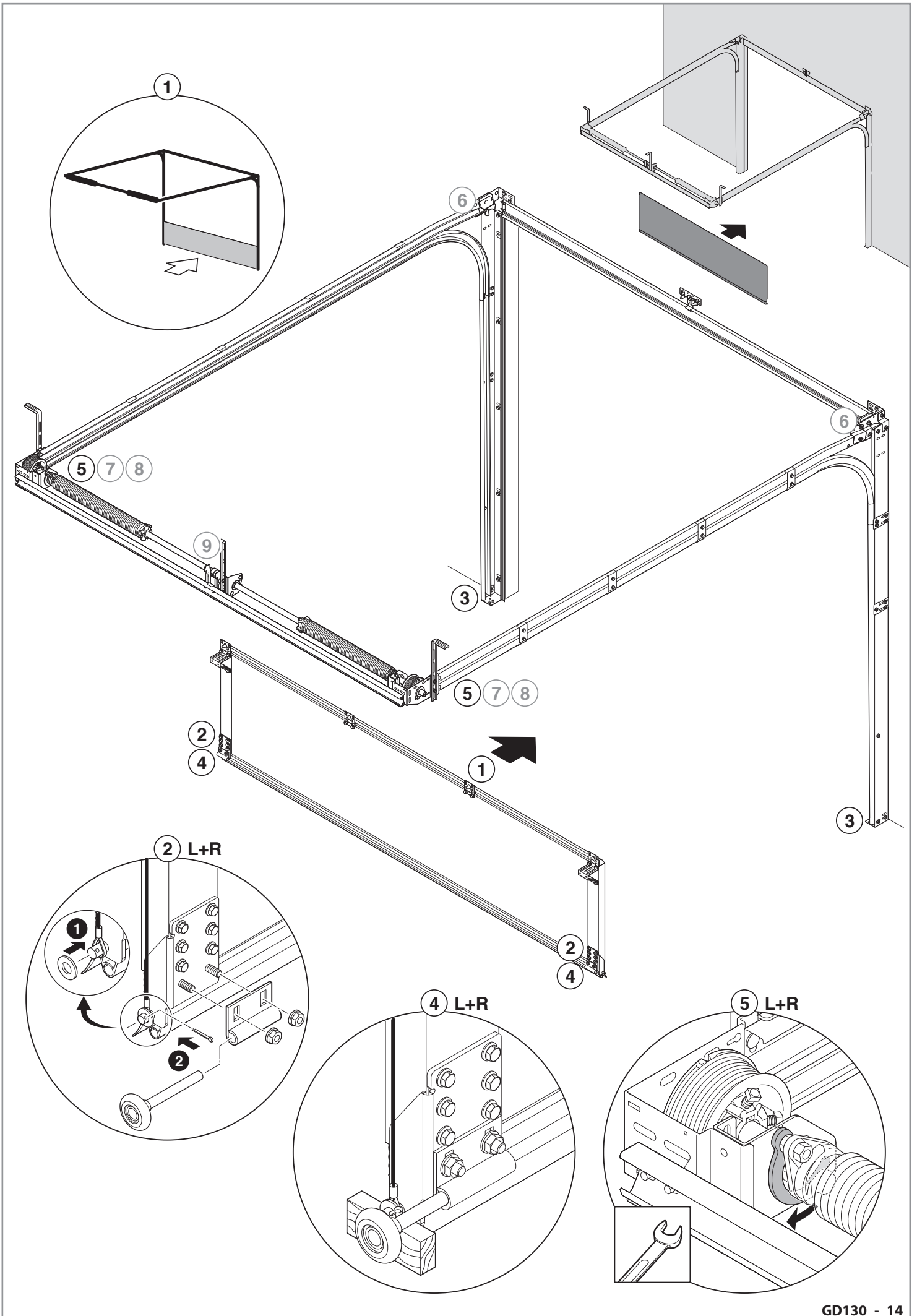
M8x50 mm
DIN 571

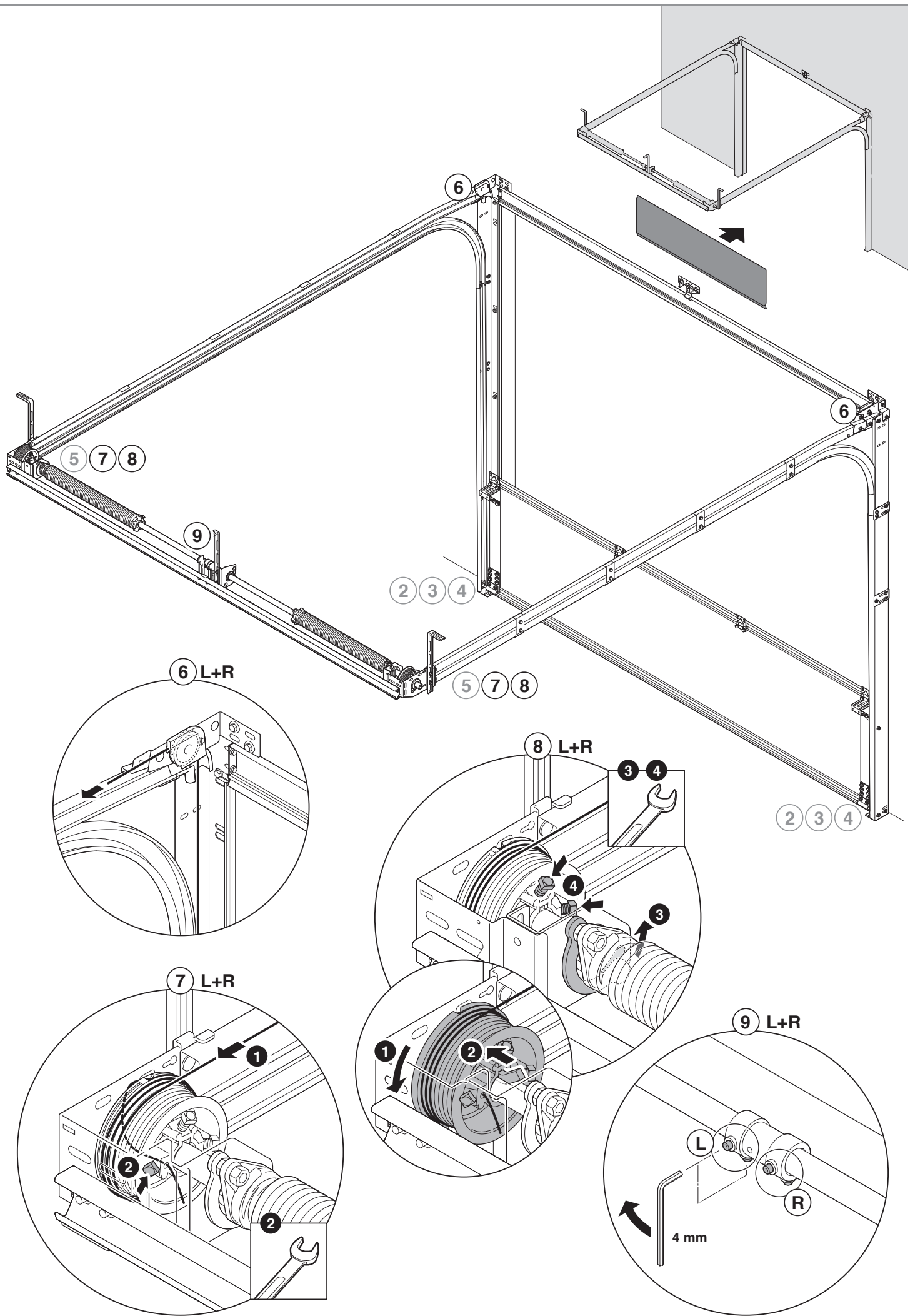


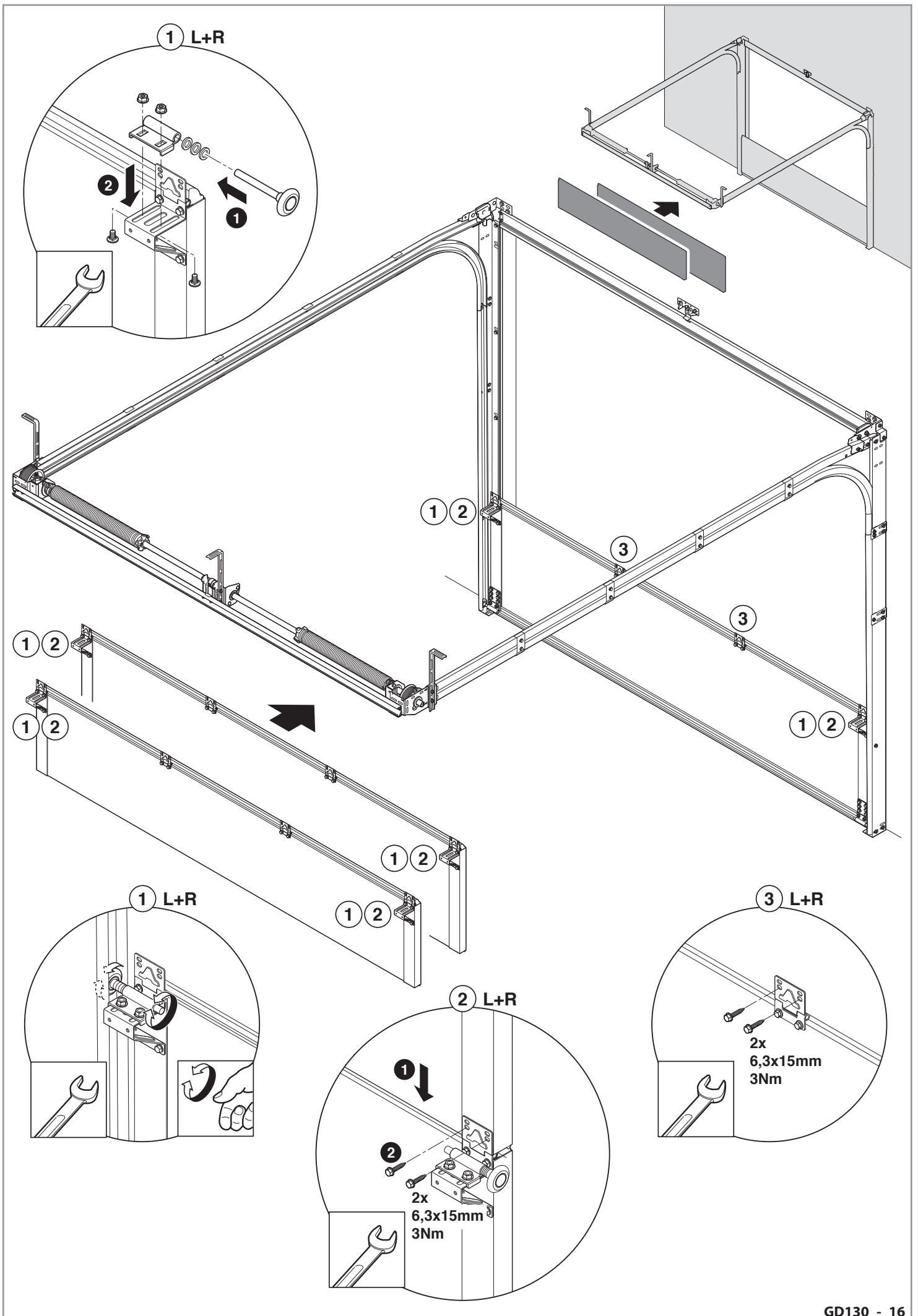


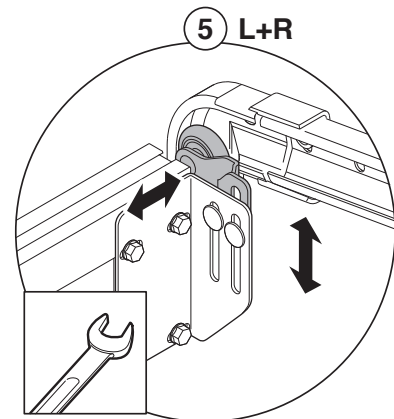
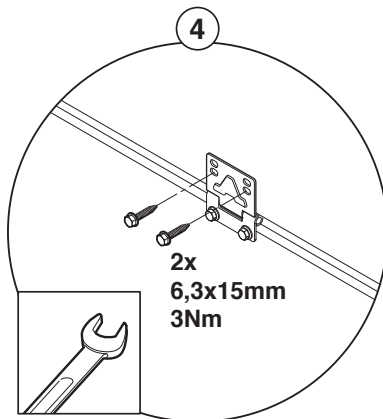
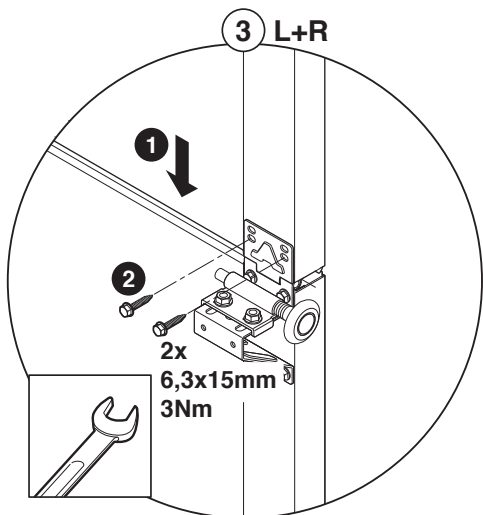
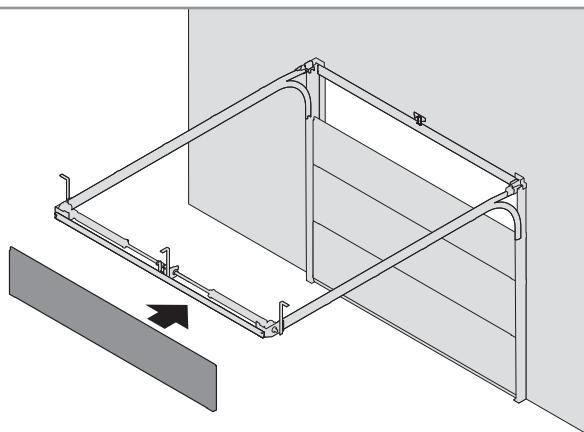
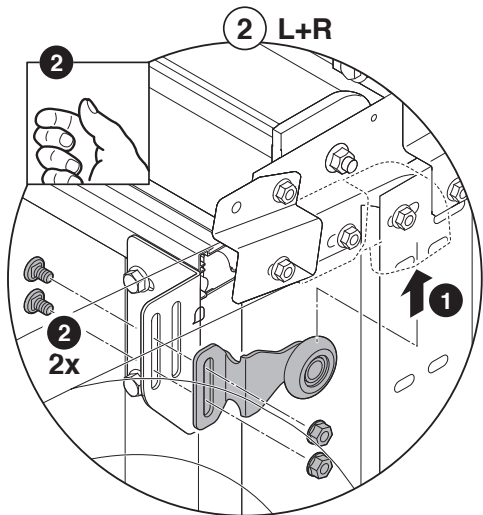
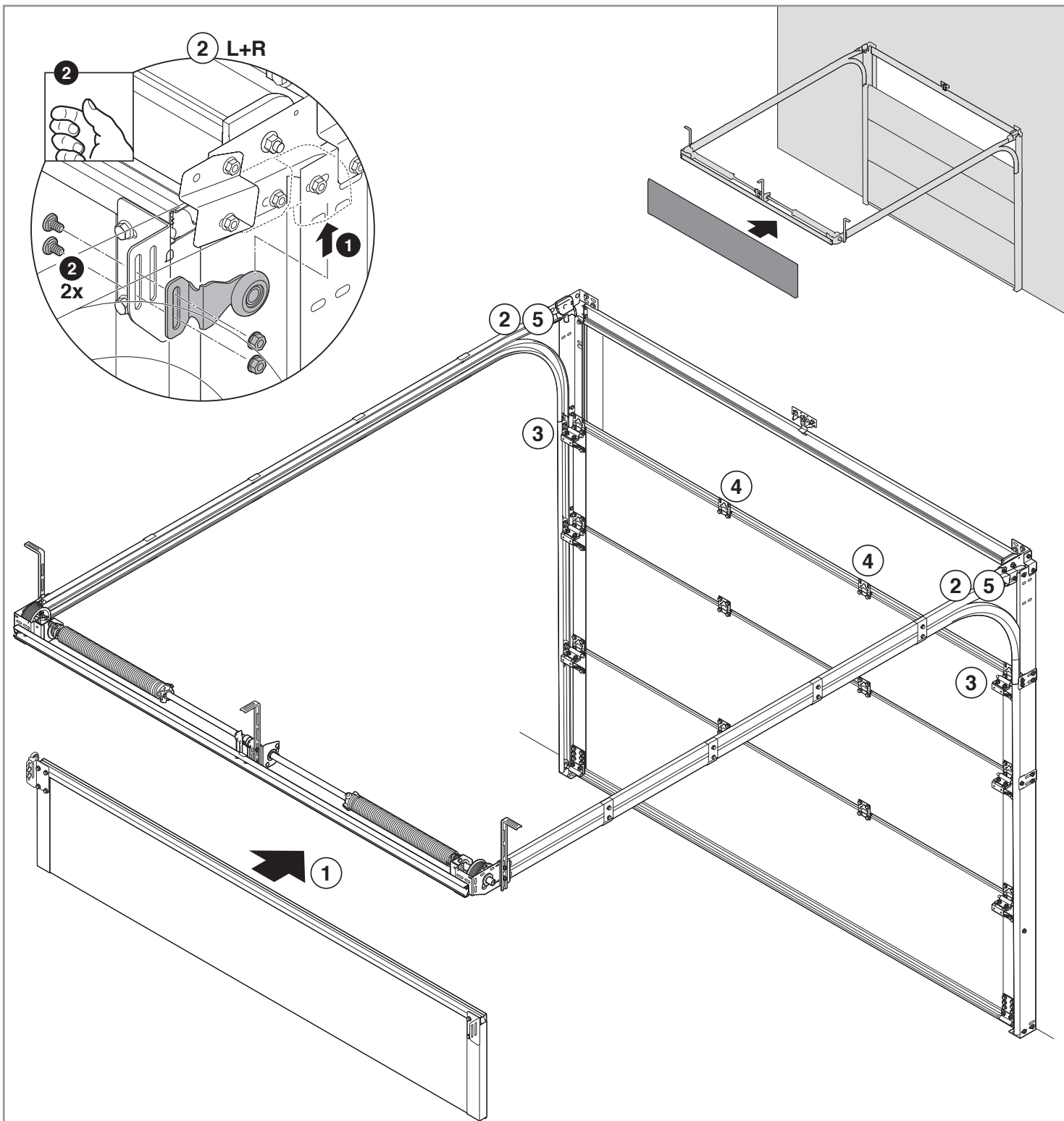


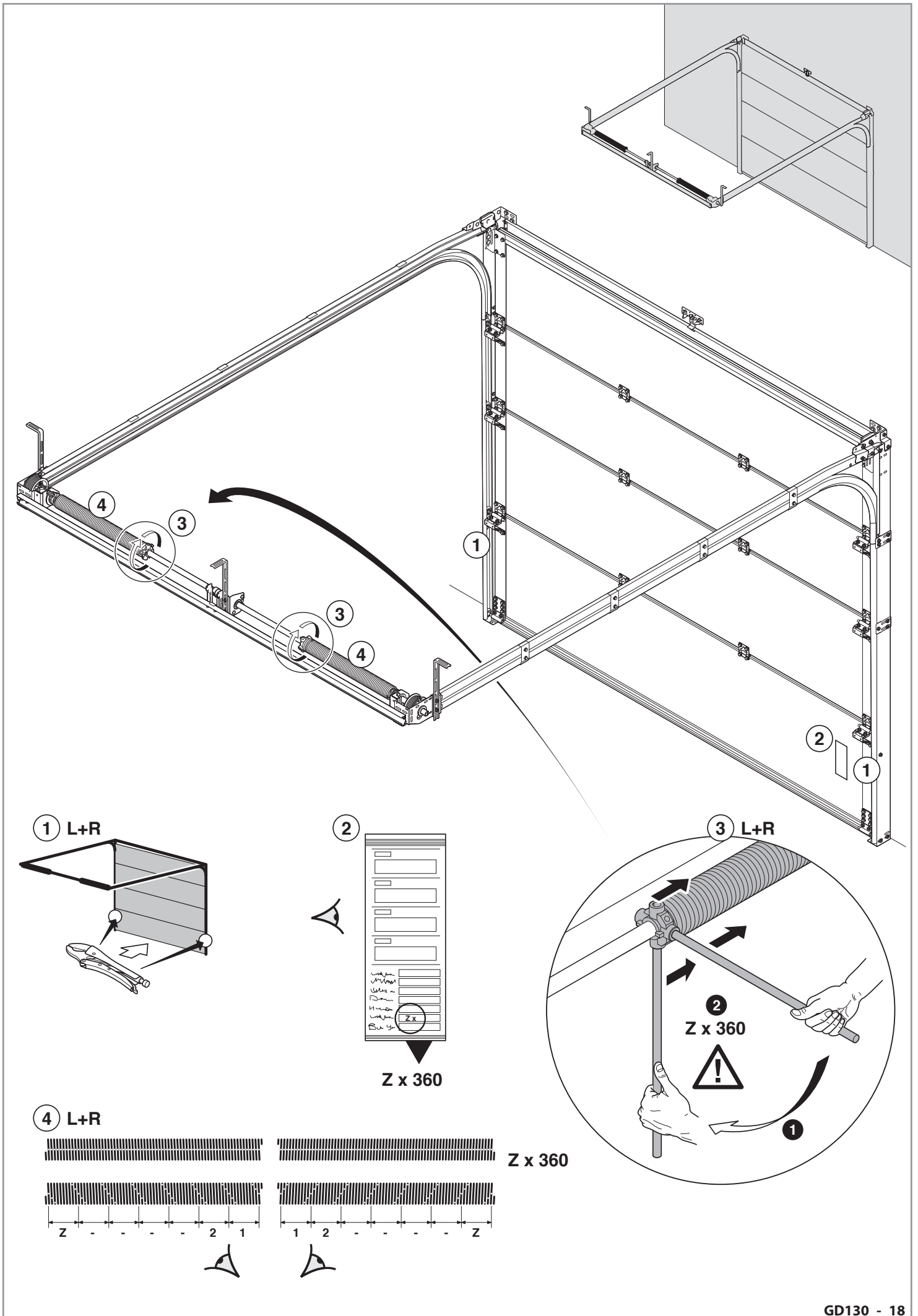




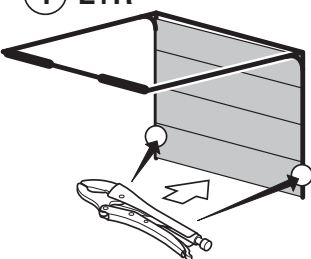




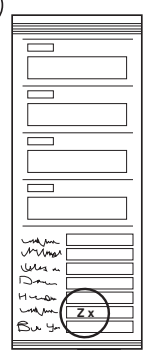




1 L+R

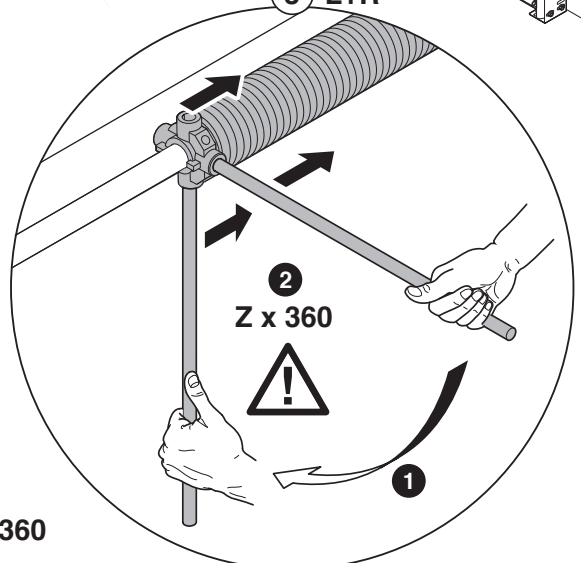


2



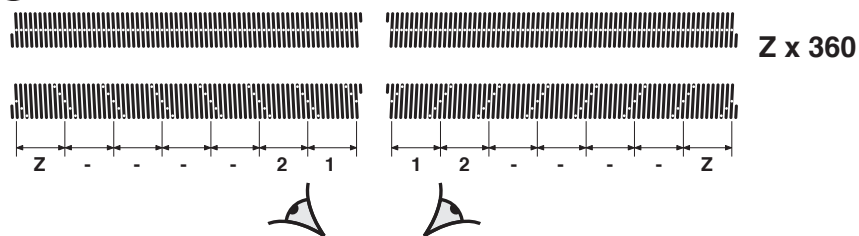
Z x 360

3 L+R

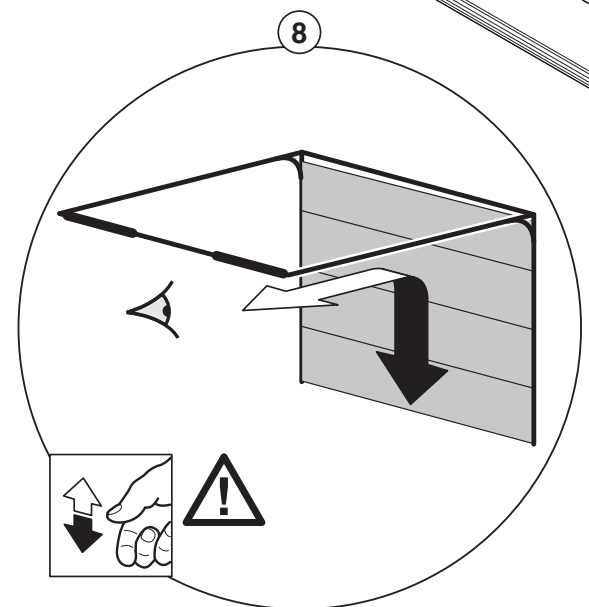
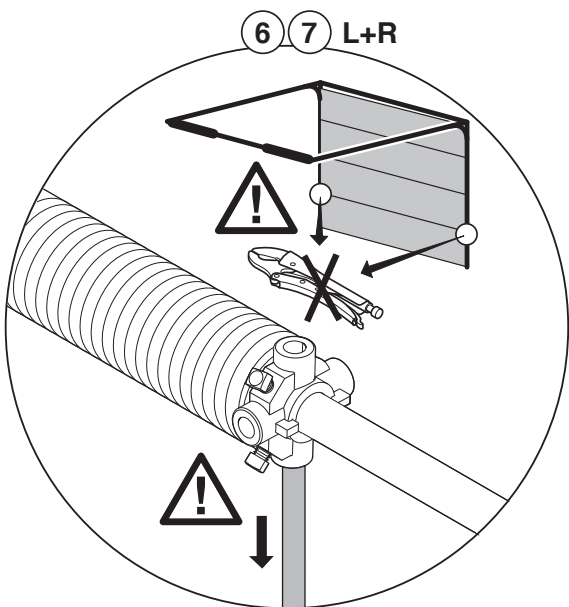
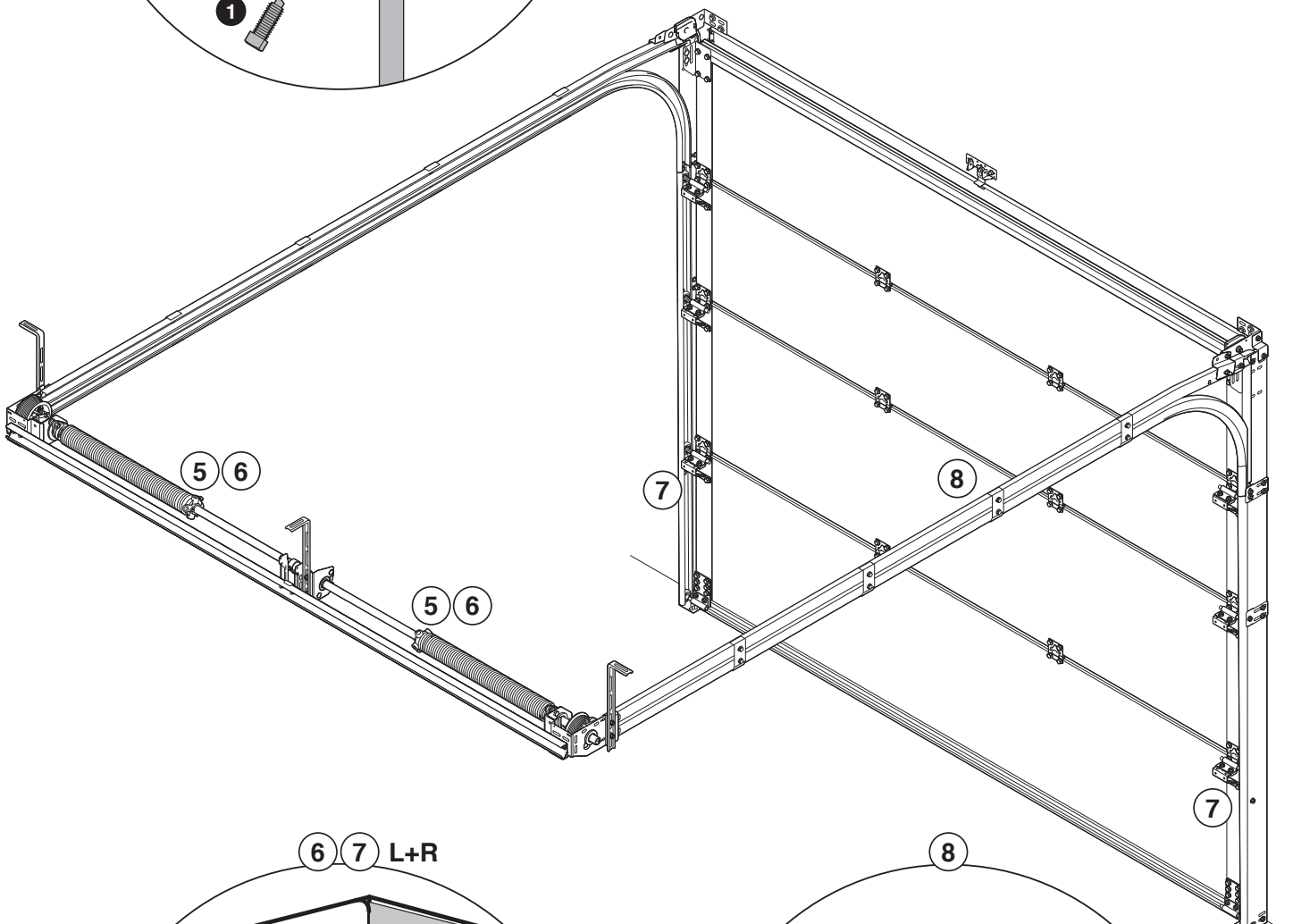
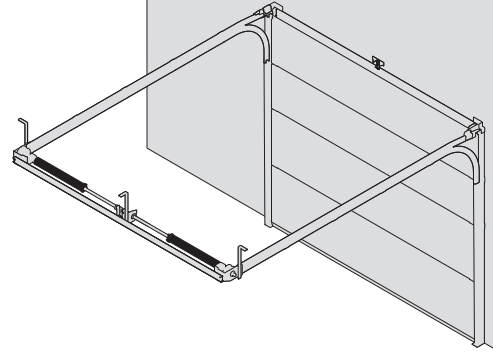
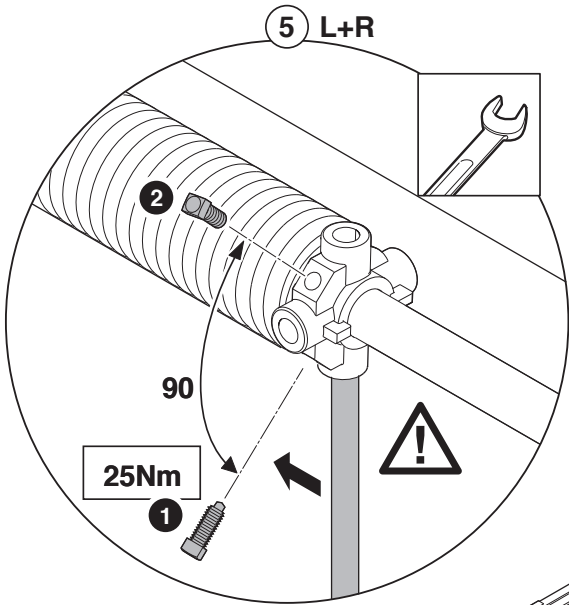


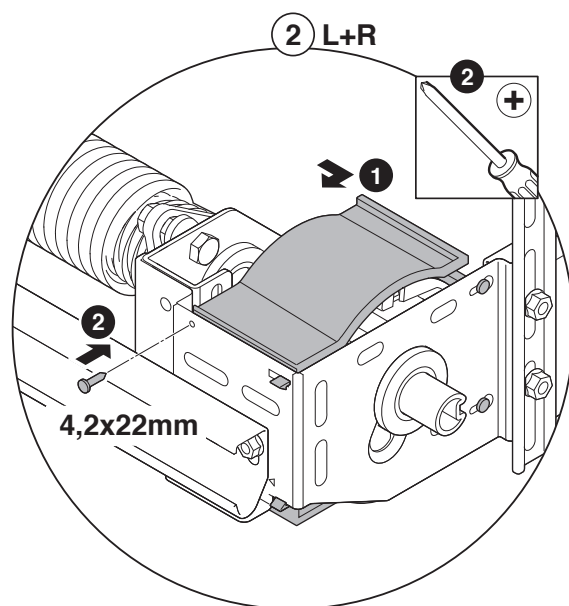
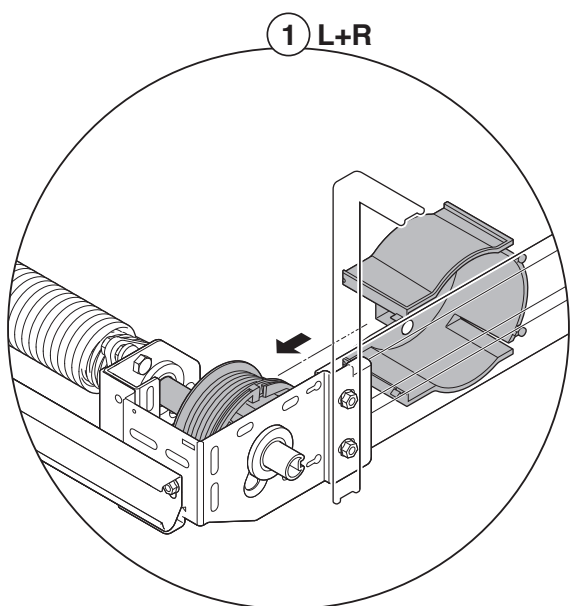
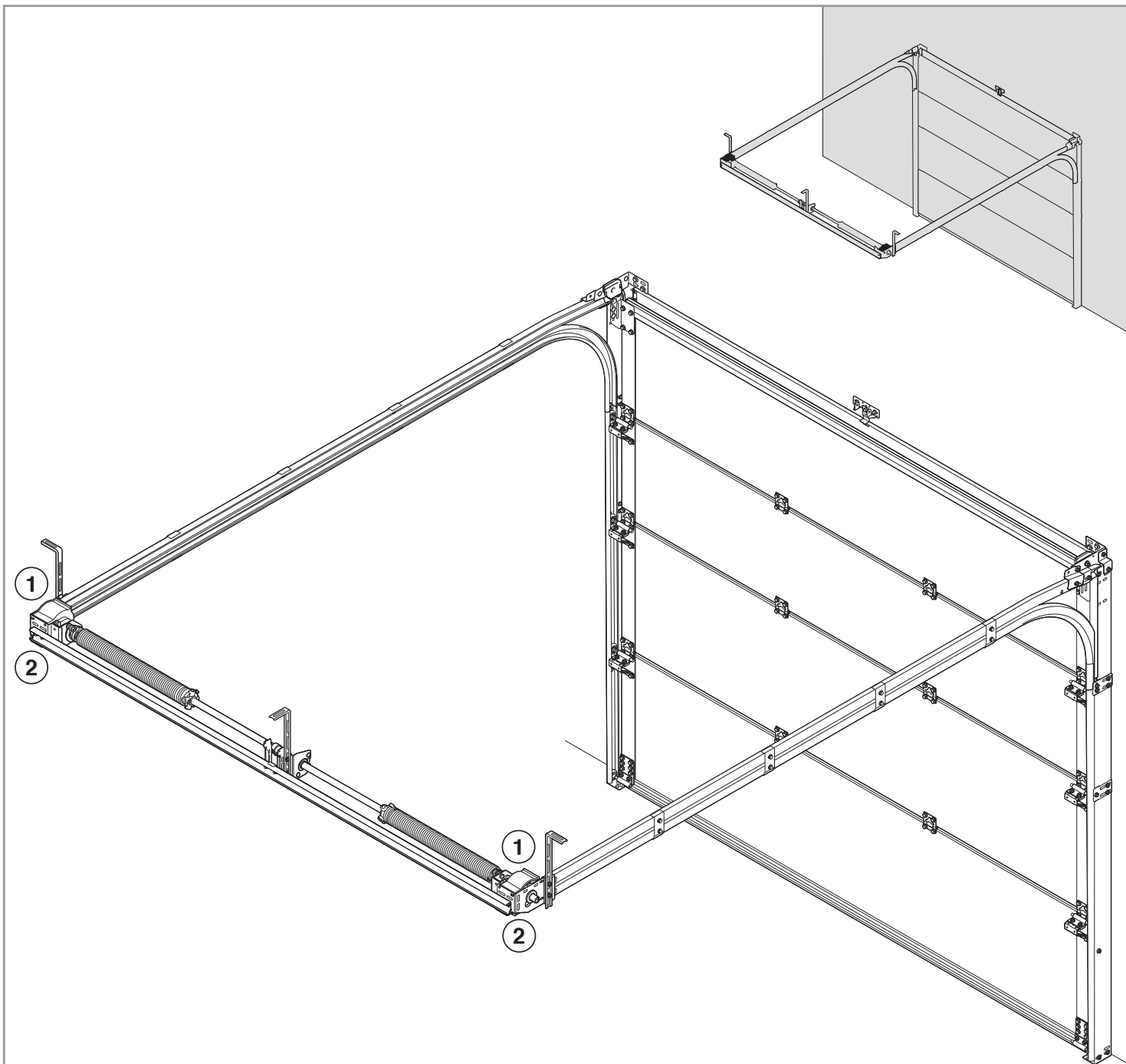
2
Z x 360

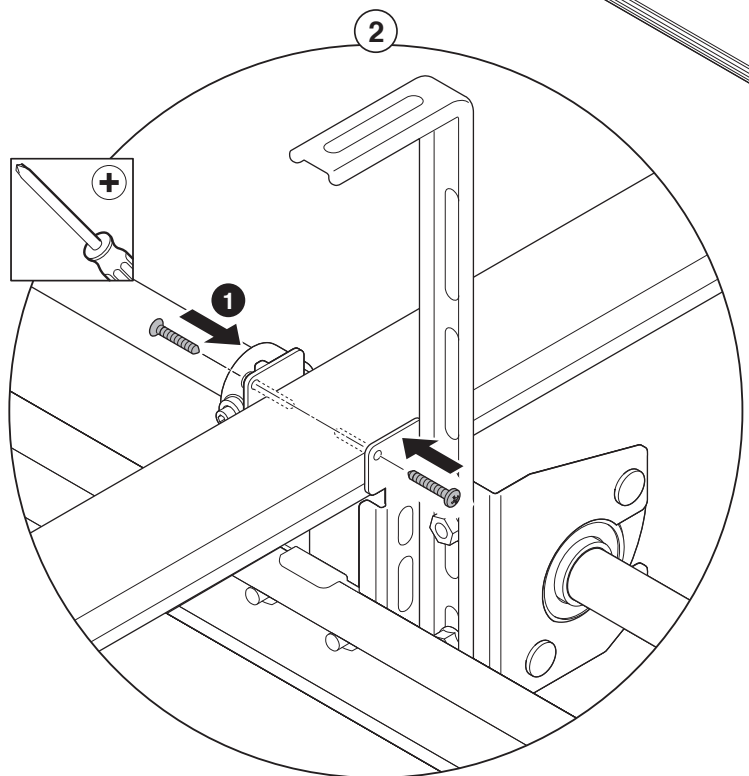
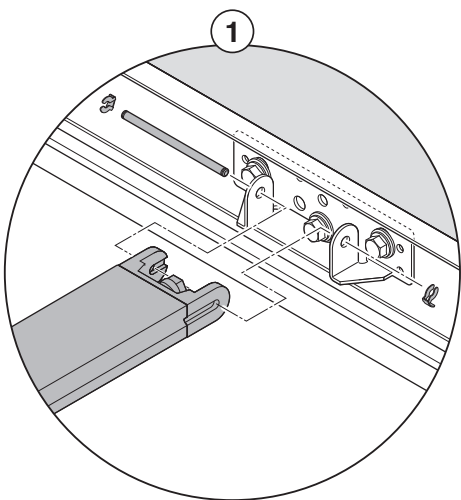
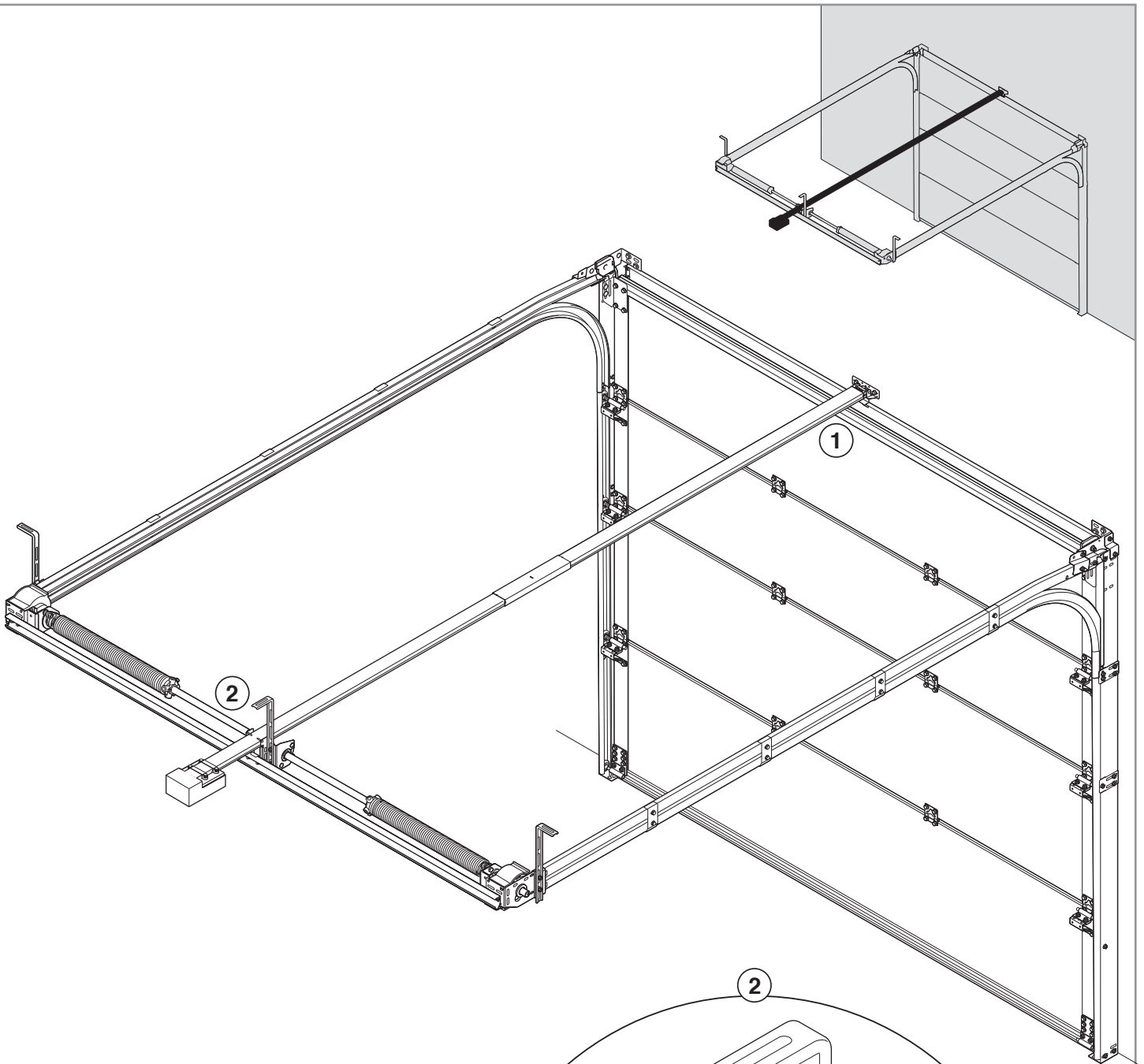
4 L+R

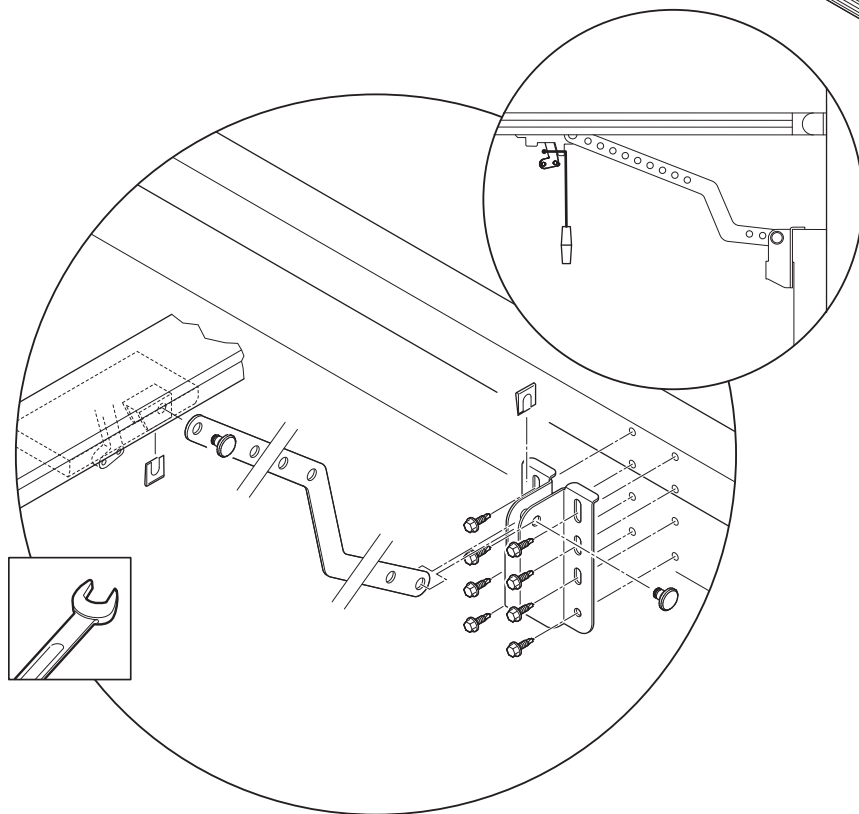
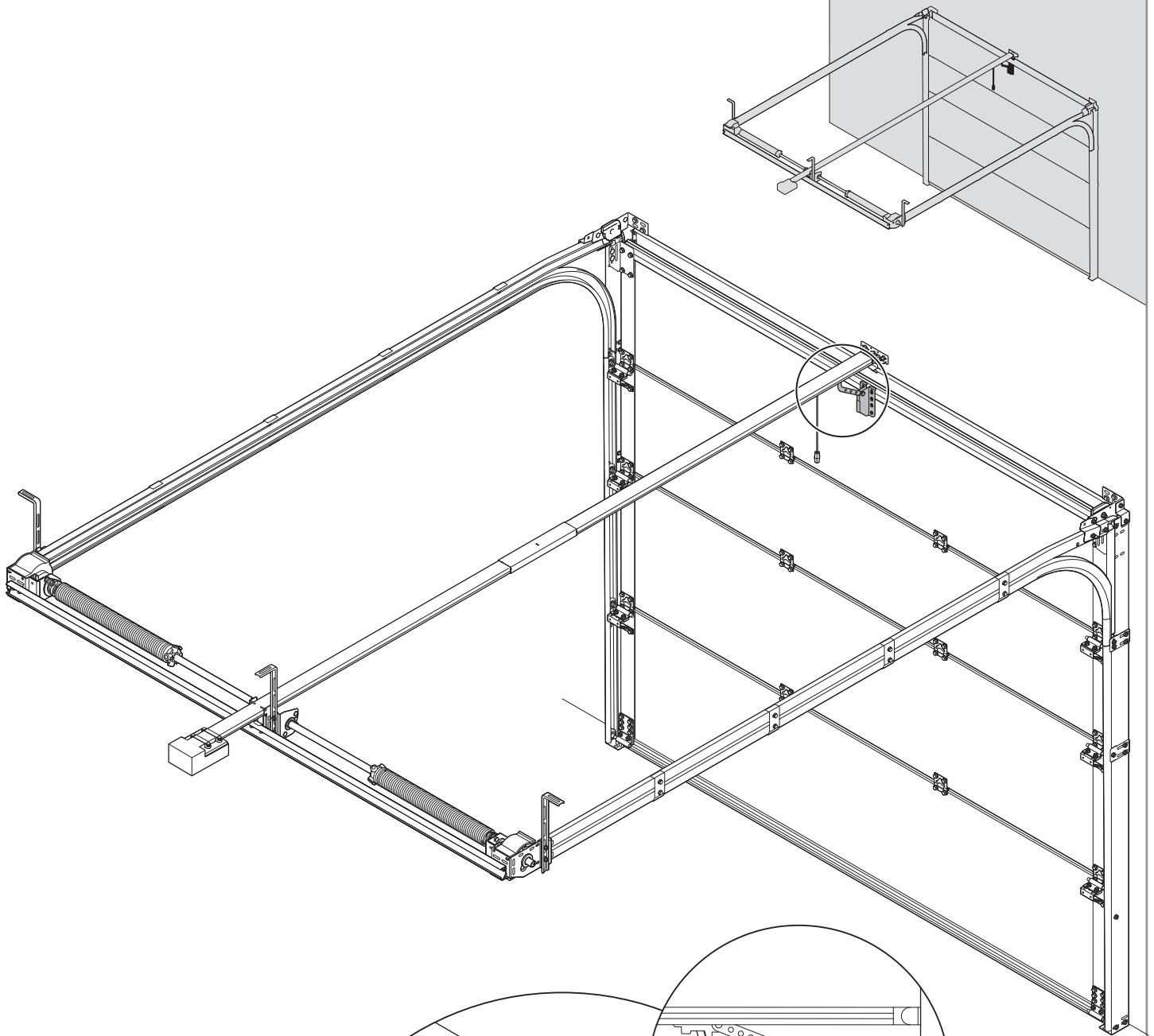


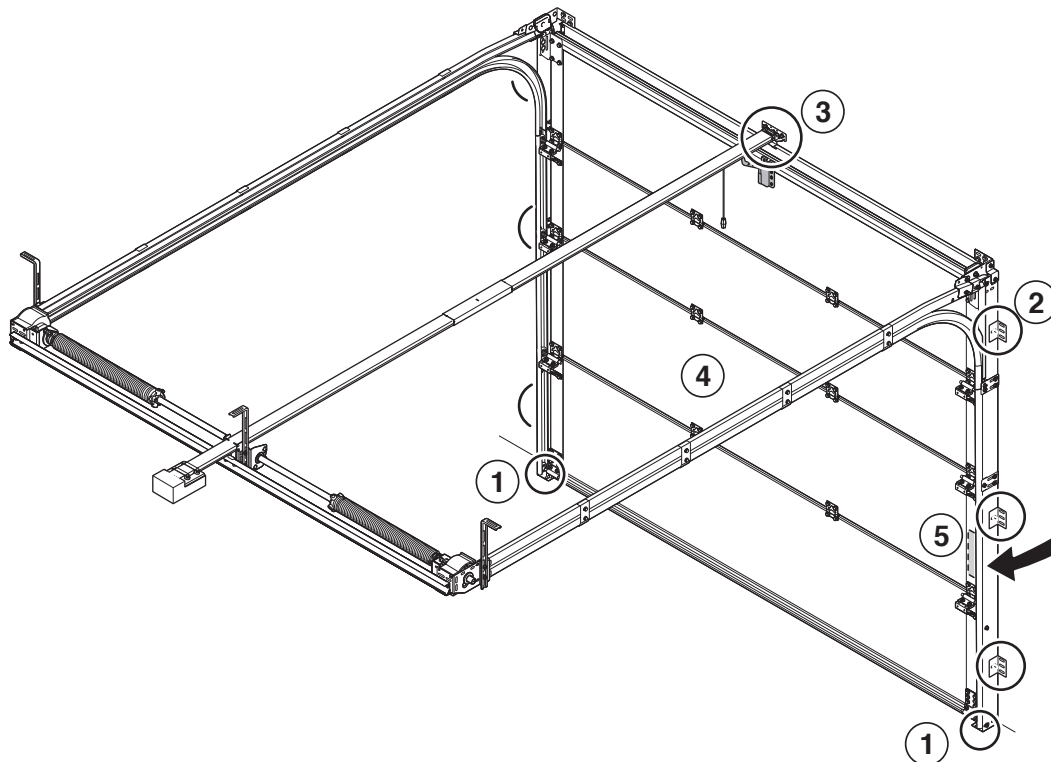
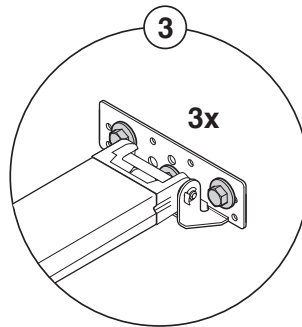
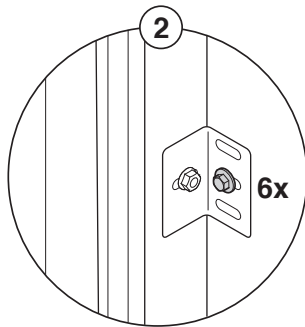
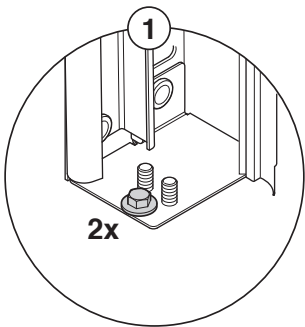
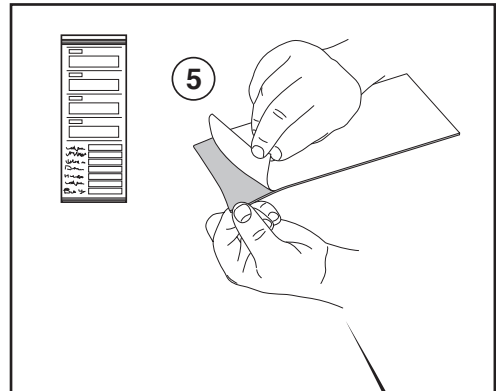
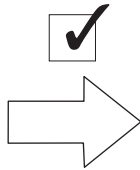
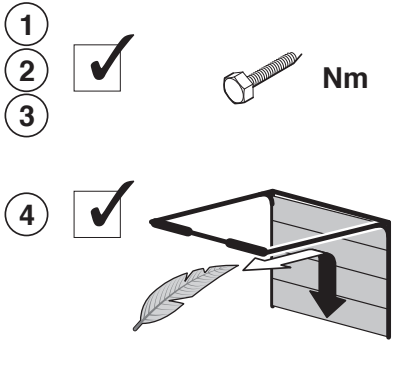
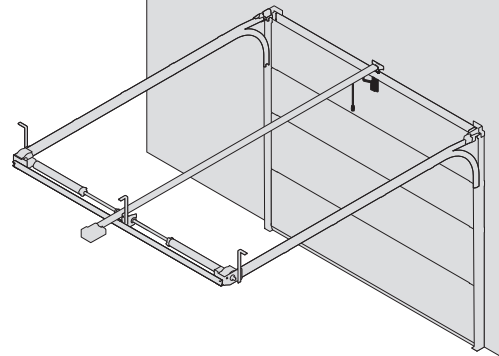
Z x 360

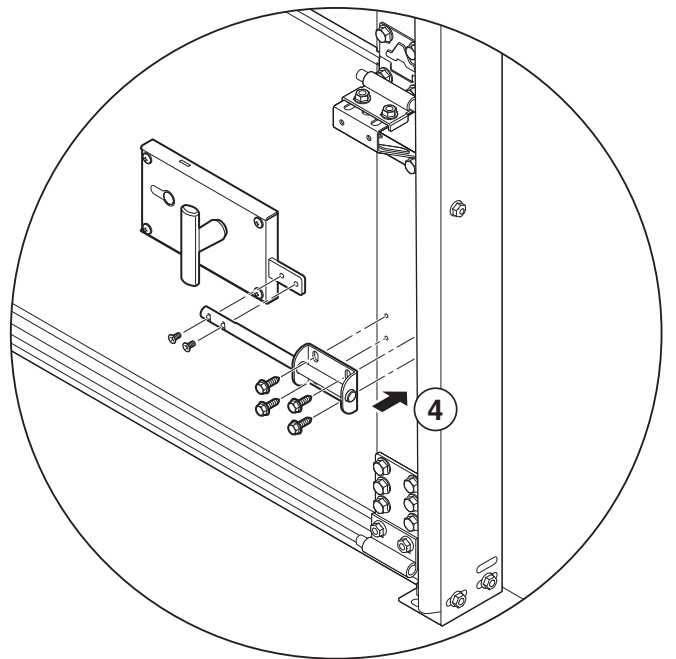
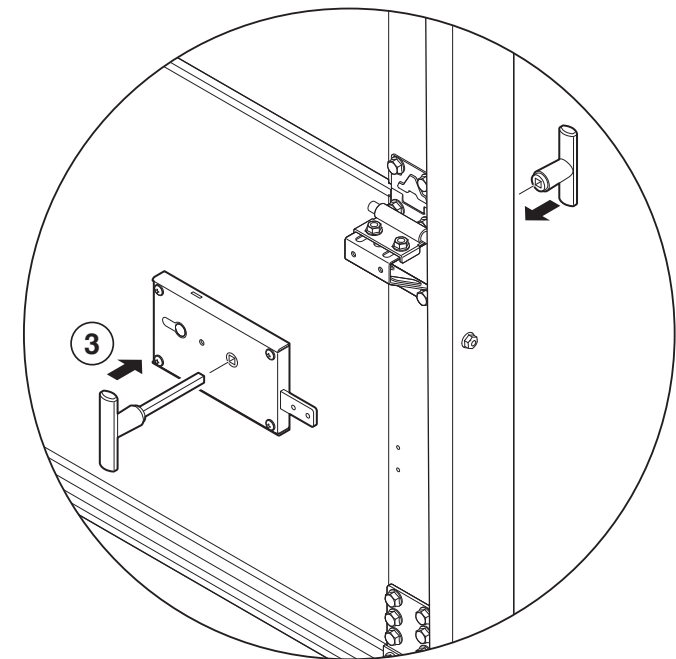
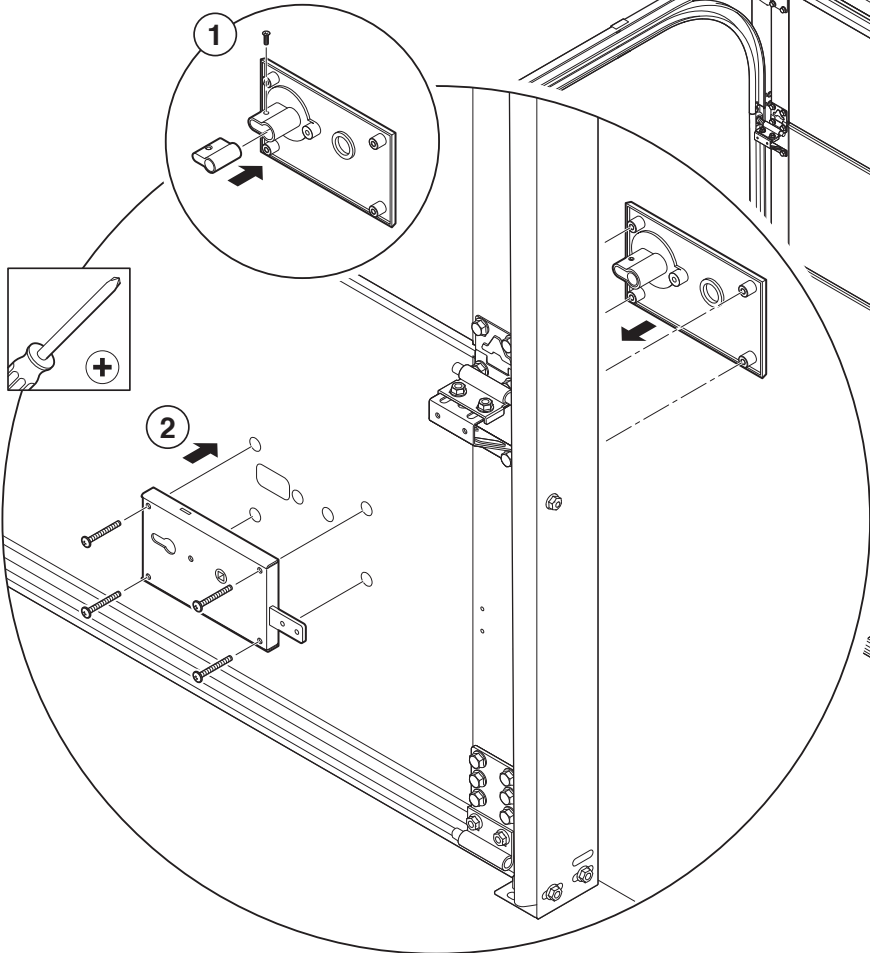
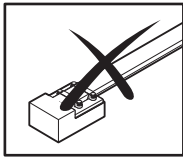
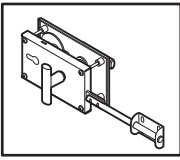




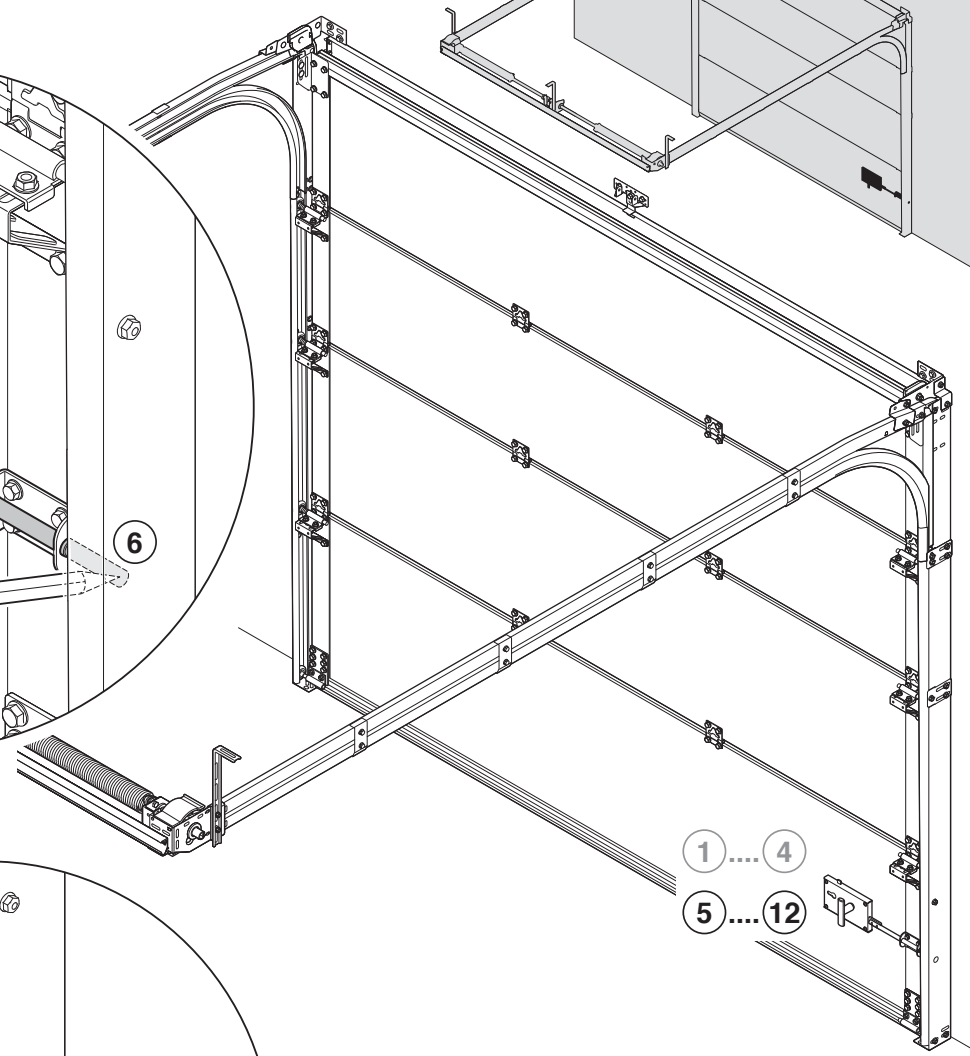
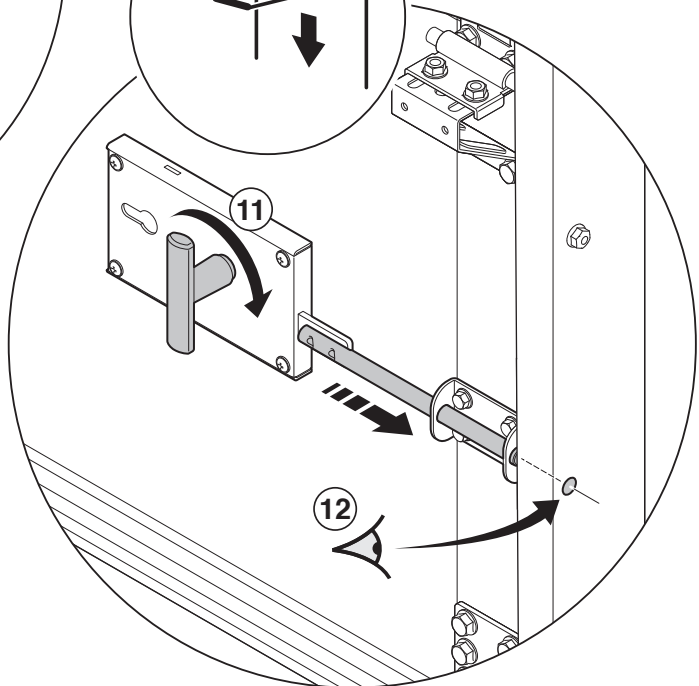
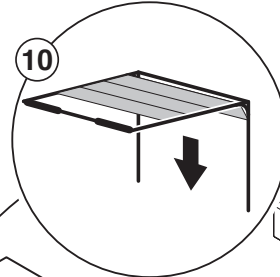
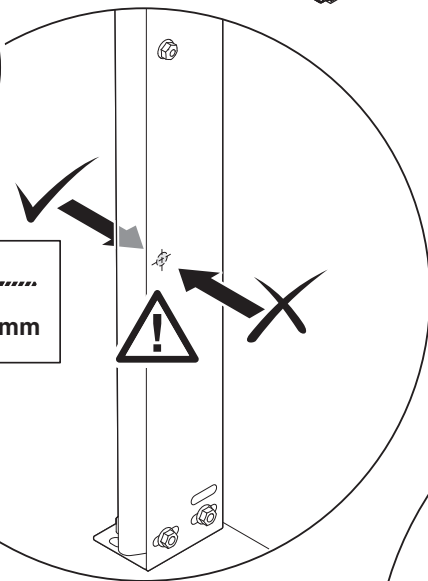
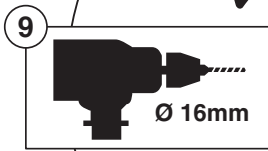
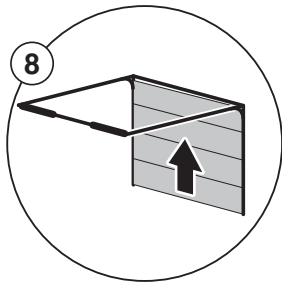
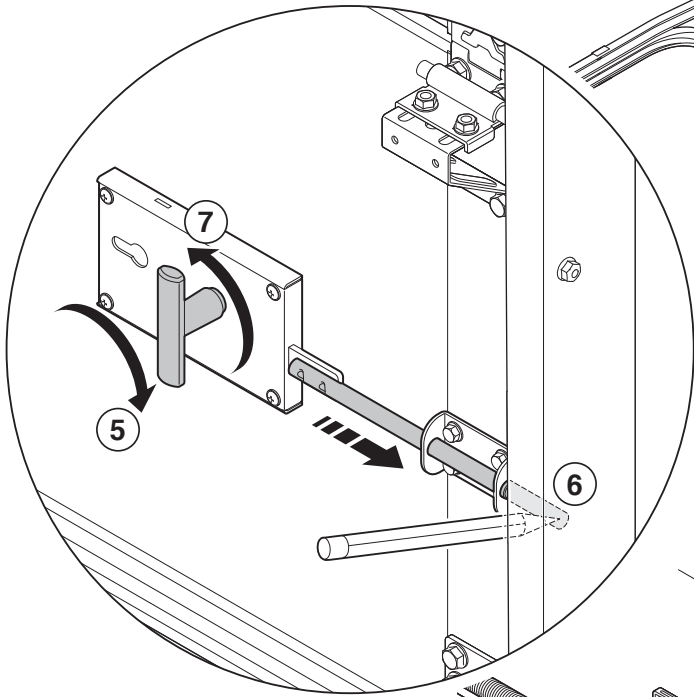
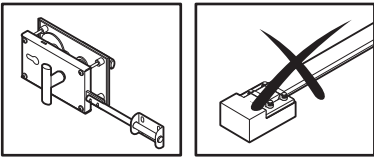








1 ... 4
5 ... 12



© Copyright Alpha deuren International b.v.

This manual was prepared and issued by Alpha deuren International B.V. Netherlands. It is supplied to approved agents of Alpha deuren International B.V. All rights are reserved. The information in this document is the property of Alpha deuren International B.V., the Netherlands. Disclosure of this information or any part of it to third parties is prohibited, except with prior and express written permission of Alpha deuren International B.V., the Netherlands.

